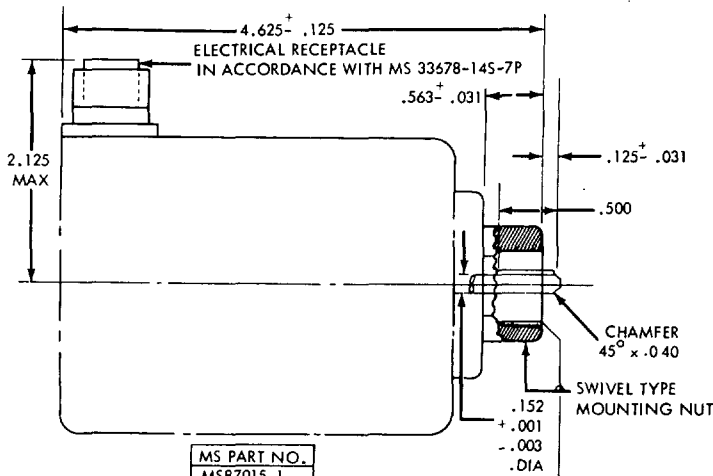
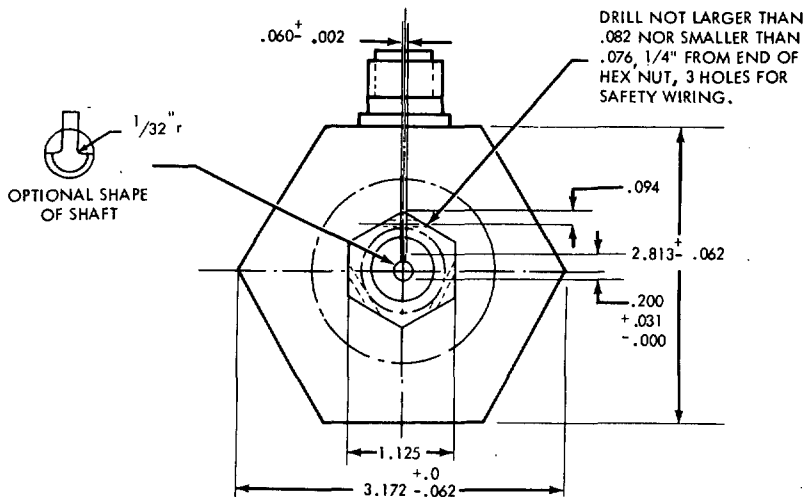


FED. SUP CLASS  
6620



MS PART NO.  
MS87015-1

- NOTES:
1. THE GENERATOR NEED NOT HAVE THE SHAPE SHOWN BUT THE DIAMETER SHALL NOT EXCEED 3.187 INCHES.
  2. UNLESS OTHERWISE SPECIFIED, DIMENSIONS ARE IN INCHES. TOLERANCES: FRACTIONS  $\pm 1/64$   
DECIMALS  $\pm .005$  ANGLES  $\pm 1/2^\circ$
  3. REFERENCED DOCUMENTS SHALL BE OF THE ISSUE IN EFFECT ON DATE OF INVITATIONS FOR BID.
  4. FOR DESIGN FEATURE PURPOSES, THIS STANDARD TAKES PRECEDENCE OVER PROCUREMENT DOCUMENTS REFERENCED HEREIN.

(A) ENTIRE STANDARD REVISED.

APPROVED 1 FEBRUARY 1965 REVISED (A) 1 JUNE 1967

Review Activities: User Activities: NOTICE—When Government drawings, specifications, or other data are used for any purpose other than in connection with a definitely related Government procurement operation, the United States Government thereby incurs no responsibility, nor any obligation whatsoever; and the fact that the Government may have formulated, furnished, or in any way supplied the said drawings, specifications, or other data is not to be regarded by implication or otherwise as in any manner licensing the holder or any other person or corporation, or conveying any rights or permission to manufacture, use, or sell any patented invention that may in any way be related thereto.

P.A. ARMY-AV Other Cust 71	TITLE <b>GENERATOR, TACHOMETER, FOUR-POLE, SCREW-MOUNTED</b>	MILITARY STANDARD	
		<b>MS87015</b>	
PROCUREMENT SPECIFICATION MIL-G-58083A	SUPERSEDES:	SHEET	1 OF 1