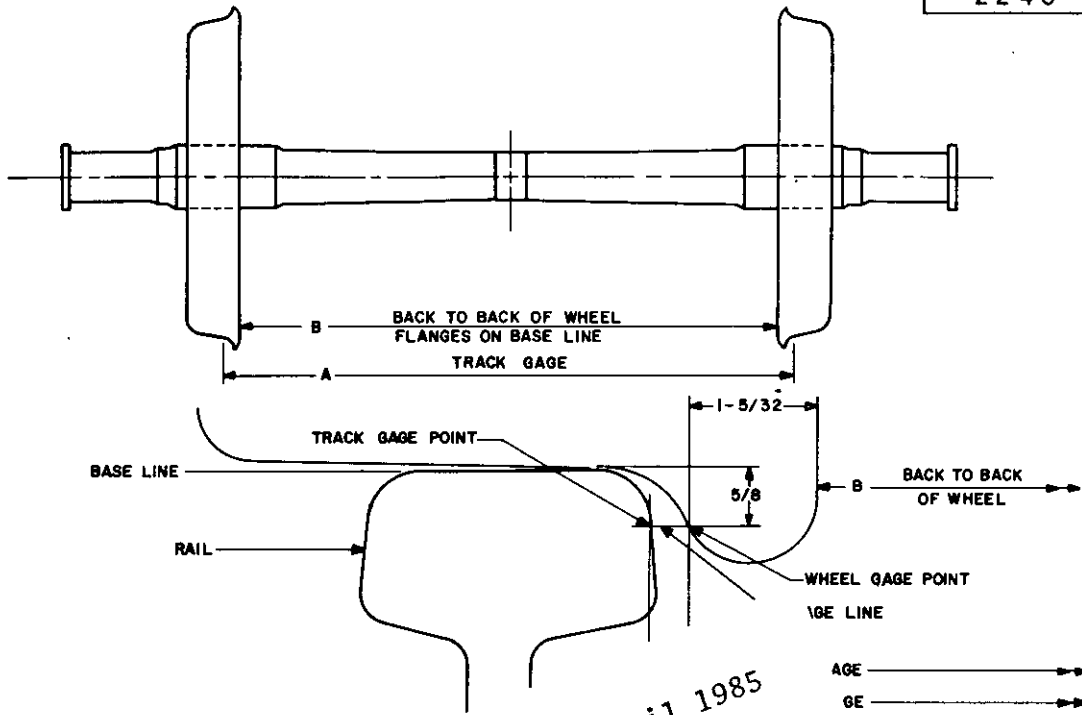


FED. SUP CLASS
2240



CANCELLED AFTER 17 April 1985
 NO SUPERSEDING STANDARD.

TABLE I

A	Incl		
39-3/4			
56-1/2			21/64
60	±.016	+1/16 -0	1/2
63	60	+1/16 -0	11/32
66	63	+1/16 -0	11/32

TABLE II

Wheel mounting pressure for multiple gage axles		
Wheel Seat Diameter Inches	Service	
	Minimum	Maximum
5-3/4	55	80
7	75	110
7-9/16	80	
7-5/8	120	
8-1/8	85	
8-1/4	130	
8-3/4	90	140

NOTES:

- All dimensions are in inches
- No tolerances permitted below minimum or above maximum pressure shown in TABLE II.

(B) Denotes changes

Review activity:

This military standard is approved for use by all Departments and Agencies of the Department of Defense. Selection for all new engineering and design applications and for repetitive use shall be made from this document.

APPROVED 21 Aug 61 REVISED 7 Oct 66 (B) 1 SEP 76 (C) 17 April 1985

P.A. ME Other Cust 99	TITLE Mounting, wheel, railway, steel, foreign service	MILITARY STANDARD MS87004
PROCUREMENT SPECIFICATIONS NONE	SUPERSEDES:	Page 1 of 1

DD FORM 1 SEP 57 **672-1** (Coordinated)

PREVIOUS EDITIONS OF THIS FORM ARE OBSOLETE.

2240-0032