

# CANCELLED

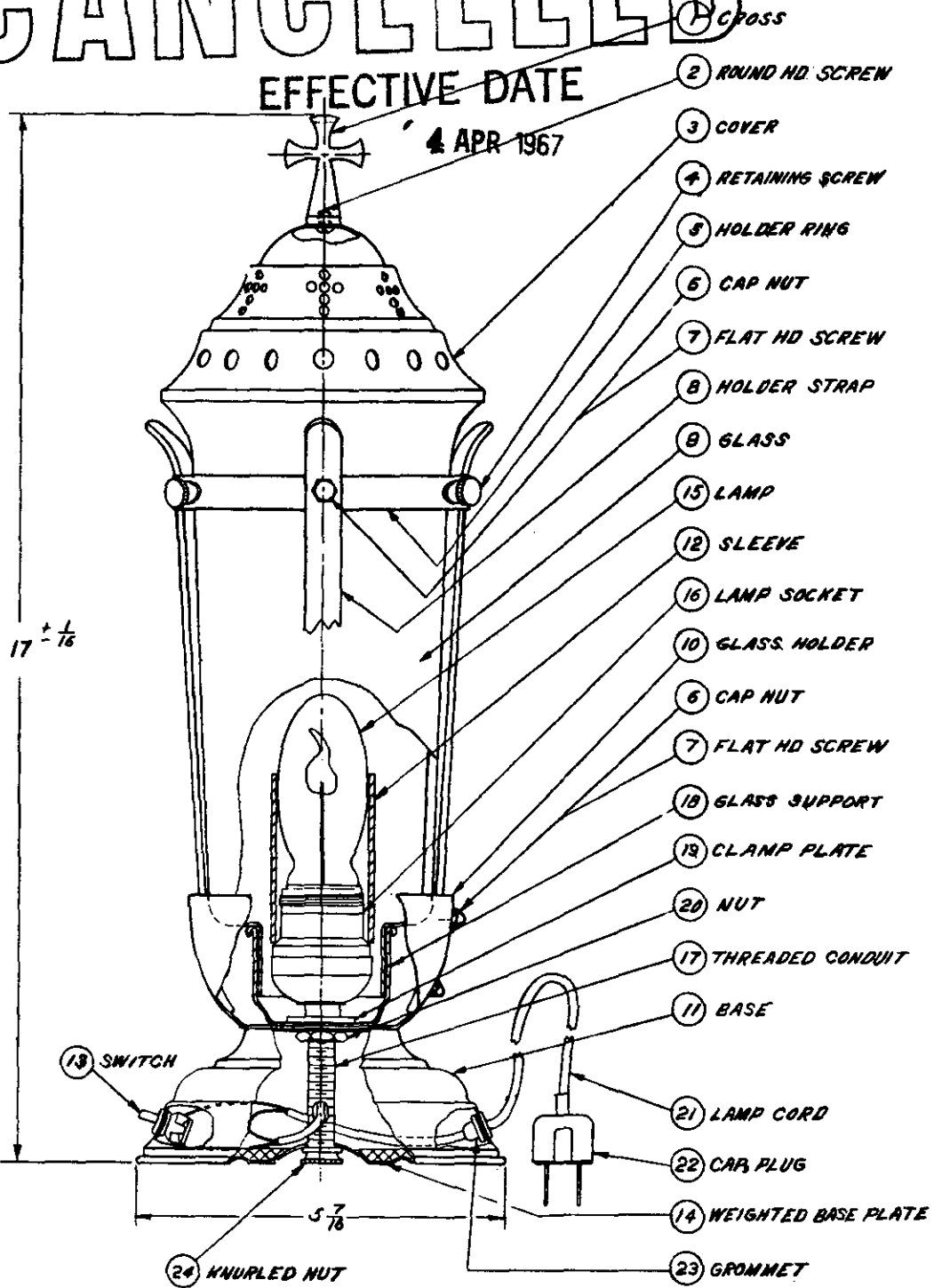
FED. SUP CLASS  
9285

NOTICE—When Government drawings, specifications, or other data are used for any purpose other than in connection with a definitely related Government procurement operation, the United States Government hereby incurs no responsibility, nor any obligation whatsoever; and the fact that the Government may have furnished, furnished, or in any way supplied the said drawings, specifications, or other data is not to be regarded by implication or otherwise as in any manner licensing the holder or any other person or corporation, or conveying any rights or permission to manufacture, use, or sell any patented invention that may in any way be related thereto.

This military standard is approved by the Department of Defense and is mandatory on all activities. Selection for all new engineering and design applications and for repetitive use shall be made from this document.

EFFECTIVE DATE

4 APR 1967



- 1 CROSS
- 2 ROUND HD SCREW
- 3 COVER
- 4 RETAINING SCREW
- 5 HOLDER RING
- 6 CAP NUT
- 7 FLAT HD SCREW
- 8 HOLDER STRAP
- 9 GLASS
- 15 LAMP
- 12 SLEEVE
- 16 LAMP SOCKET
- 10 GLASS HOLDER
- 6 CAP NUT
- 7 FLAT HD SCREW
- 18 GLASS SUPPORT
- 19 CLAMP PLATE
- 20 NUT
- 17 THREADED CONDUIT
- 11 BASE
- 21 LAMP CORD
- 22 CAR PLUG
- 14 WEIGHTED BASE PLATE
- 23 GROMMET

APPROVED 23 October 1962  
REVISED

P.A.	02	TITLE	MILITARY STANDARD
Other Cast	PSRS APLC	SARGENT & LUNDY LAMP, ELECTRIC	MS 63210
PROCUREMENT SPECIFICATION NOTE	SUPERSEDES:		