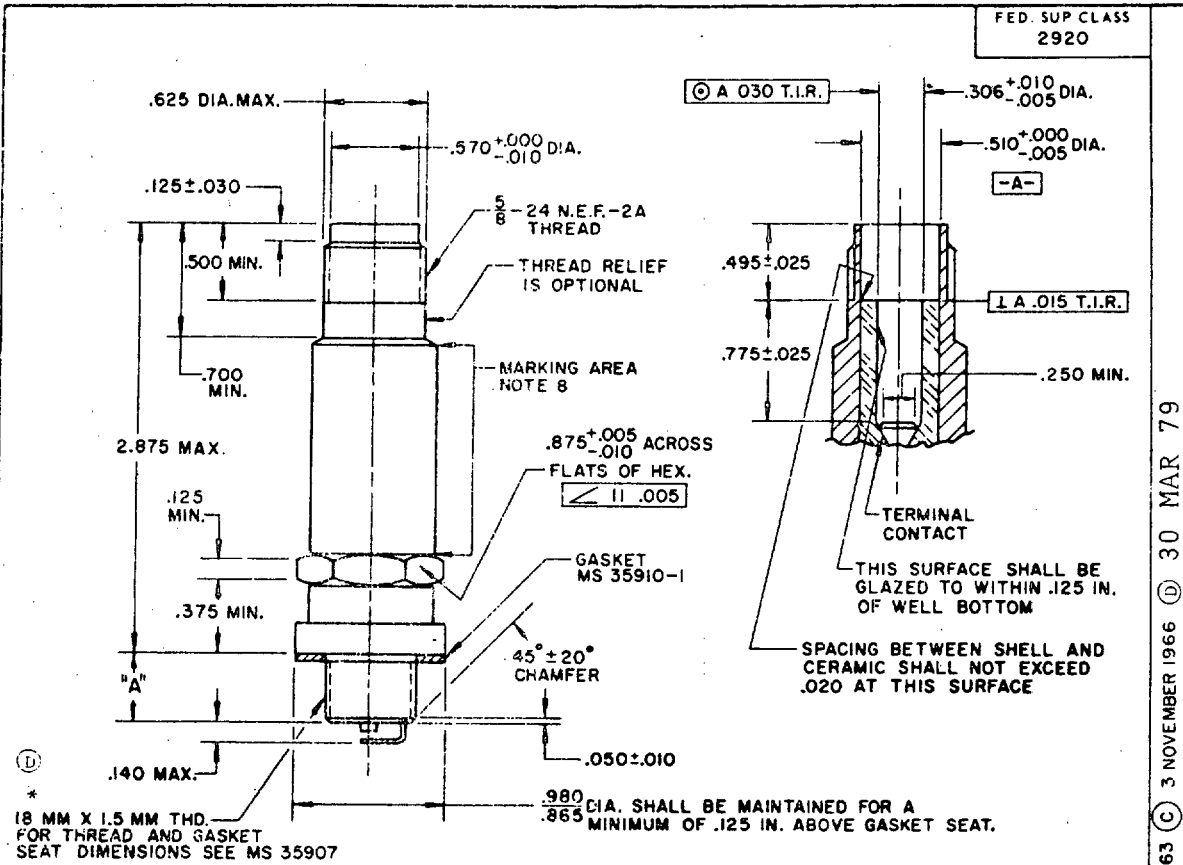


REVIEW ACTIVITIES: ARMY-CR, ME, CS  
 USER ACTIVITIES: ARMY-GL, NAVY-MC

A military standard is approved for use by all Departments and Agencies of the Department of Defense. Selection for all new engineering and design applications and for repetitive use shall be made from this document when applicable.



\* 18 MM X 1.5 MM THD. FOR THREAD AND GASKET SEAT DIMENSIONS SEE MS 35907  
 .980 DIA. SHALL BE MAINTAINED FOR A MINIMUM OF .125 IN. ABOVE GASKET SEAT.

MS PART NO.	"A" REACH ±.016	ELECTRODE GAP	SUPPRESSOR (OHMS) +50%-25%	I.M.P. RATING (P.S.I.)	S. A. E. RATING (NOTE 2)
MS 51009-1	.500	.030+ .003 - .002	10,000	135	150
MS 51009-2	.500	.030+ .003 - .002	10,000	155	165
MS 51009-3	.500	.030+ .003 - .002	10,000	200	200

NOTES:

- THIS ITEM SHALL CONFORM TO SPEC. W-S-506, TYPE 1, CLASS A.
- BASED ON SAE CALIBRATING SPARK PLUG, AS 770-1.
- UNLESS OTHERWISE SPECIFIED, DIMENSIONS ARE IN INCHES AND TOLERANCES ARE ± .005.
- THREADS SHALL BE IN ACCORDANCE WITH SCREW THREAD STANDARDS FOR FEDERAL SERVICES, HANDBOOK H28.
- THIS STANDARD IS NOT INTENDED TO LIMIT CONSTRUCTION TO FEATURES OTHER THAN AS SHOWN HEREON BY DIMENSIONS, NOTATIONS, AND REFERENCED DOCUMENTS.
- REFERENCED DOCUMENTS SHALL BE OF THE ISSUE IN EFFECT ON DATE OF INVITATIONS FOR BIDS OR REQUEST FOR PROPOSAL.
- FOR DESIGN FEATURE PURPOSES, THIS STANDARD TAKES PRECEDENCE OVER PROCUREMENT DOCUMENTS REFERENCED HEREIN.
- THE MS PART NUMBER AND MANUFACTURER'S IDENTIFICATION SHALL BE MARKED ON BODY OF SPARK PLUG IN ACCORDANCE WITH MIL-STD-130.

(D) CERTAIN PROVISIONS OF THIS STANDARD (IDENTIFIED BY \*) ARE THE SUBJECT OF INTERNATIONAL STANDARDIZATION AGREEMENTS (MIL-STD-2002 AND 2003). WHEN REVISION OR CANCELLATION OF THIS STANDARD IS PROPOSED WHICH WILL AFFECT OR VIOLATE THE INTERNATIONAL AGREEMENT CONCERNED, THE PREPARING ACTIVITY WILL TAKE APPROPRIATE RECONCILIATION ACTION THROUGH INTERNATIONAL STANDARDIZATION CHANNELS, INCLUDING DEPARTMENTAL STANDARDIZATION OFFICES, IF REQUIRED.

(D) DENOTES CHANGES

P.A. ARMY-AT Other Cust	INTERNATIONAL INTEREST	TITLE SPARK PLUG, SHIELDED, 18MM, 1-1/4 INCH WELL (OTHER THAN AIRCRAFT)	MILITARY STANDARD MS 51009
AF-99	PROCUREMENT SPECIFICATION W-S-506	SUPERSEDES	SHEET 1 OF 1

APPROVED 27 MARCH 1958 REVISED (A) 16 MAY 1962 (B) 27 FEBRUARY 1963 (C) 3 NOVEMBER 1966 (D) 30 MAR 79