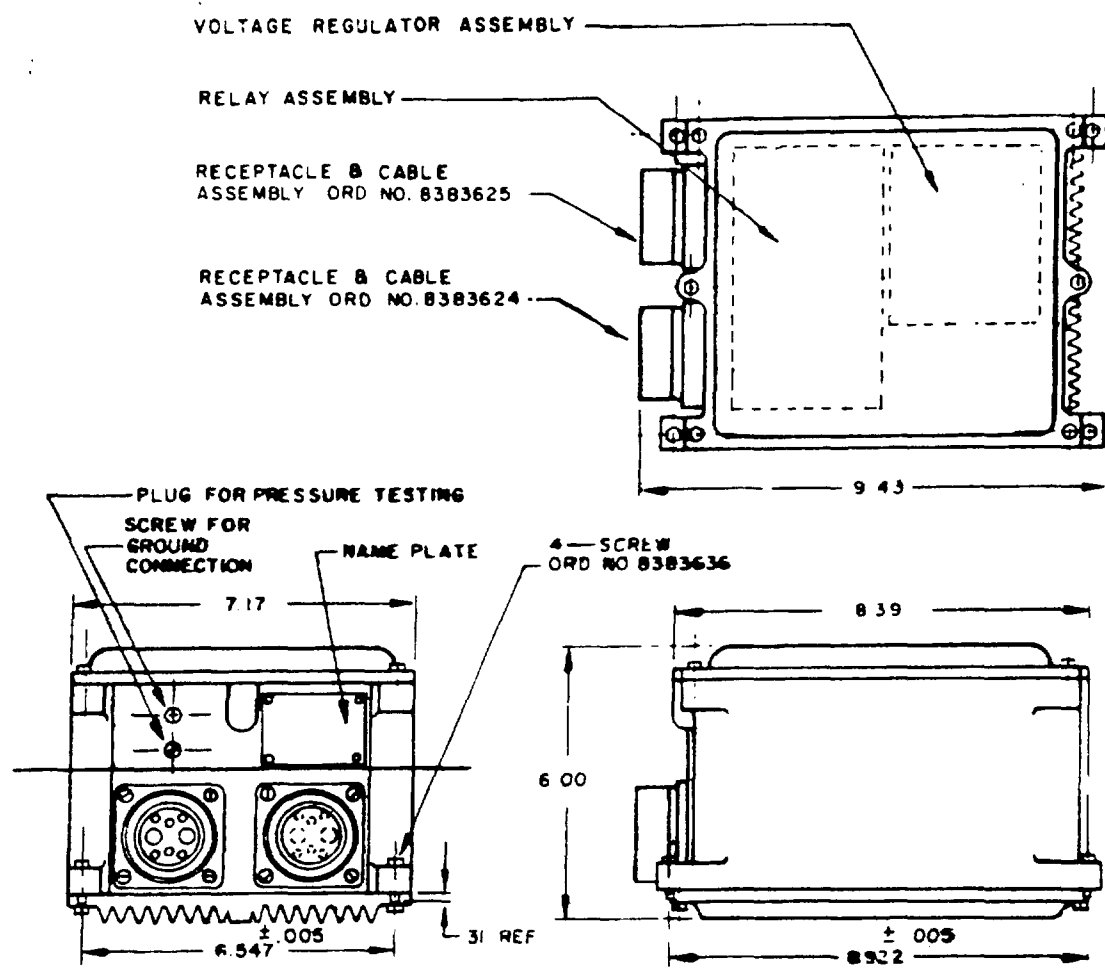


FED SUP CLASS
2920



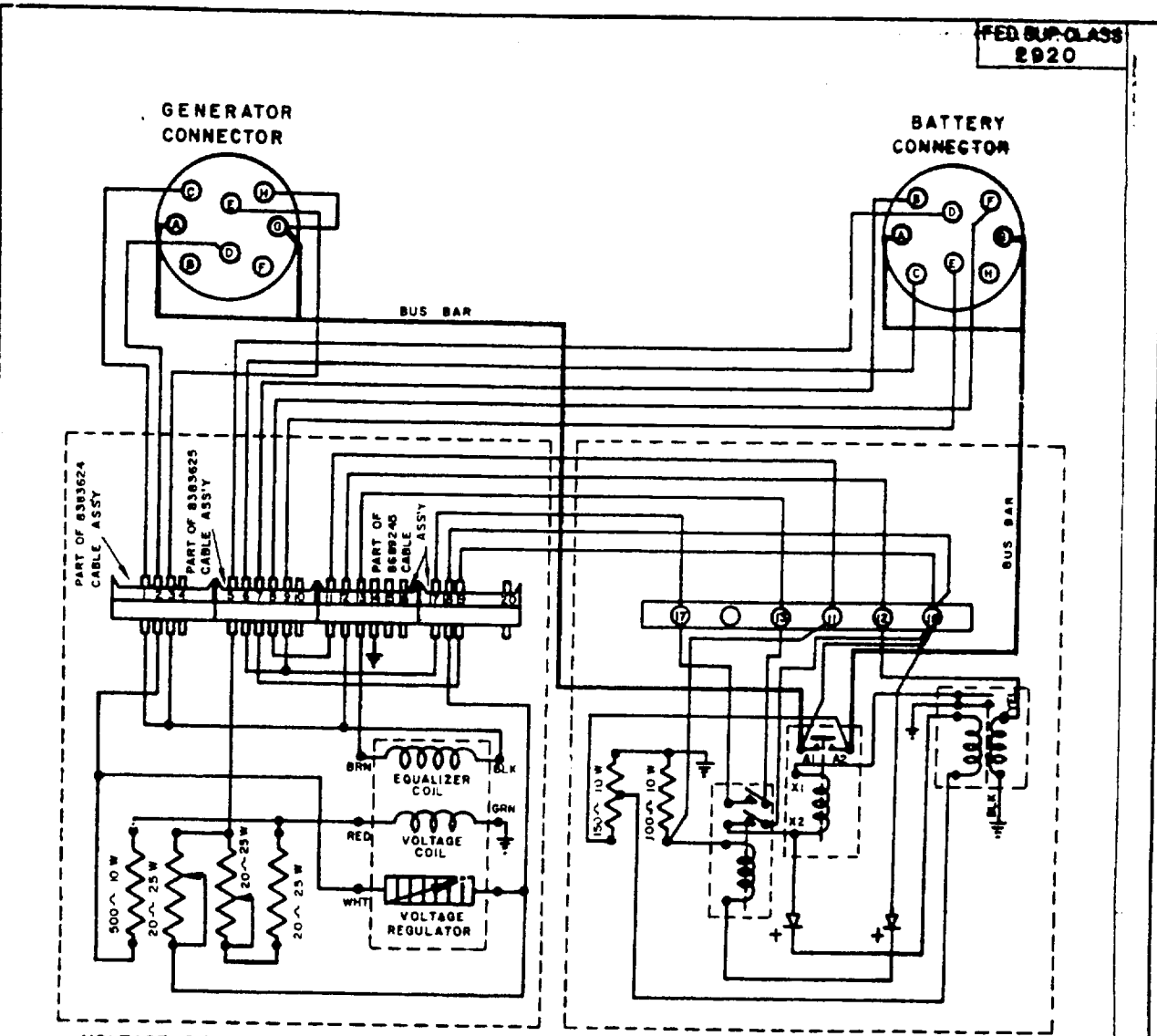
- NOTES
1. THIS STANDARD IS FOR USE WITH MILITARY AND MODIFIED COMMERCIAL DESIGNED EQUIPMENT ONLY
- THREADS:
2. SHALL BE IN ACCORDANCE WITH SCREW THREAD STANDARDS FOR FEDERAL SERVICES HANDBOOK H28
- GENERAL NOTES:
3. DIMENSIONS SHOWN ARE FOR ENGINEERING REFERENCE.
 4. REFERENCED DOCUMENTS SHALL BE OF THE ISSUE IN EFFECT ON DATE OF INVITATION FOR BID
 5. ALL DRAWINGS AND OTHER INFORMATION PERTAINING TO THIS STANDARD MAY BE OBTAINED FROM ARMY ORDNANCE CORPS, DETROIT ARSENAL, CENTERLINE MICHIGAN, ATTENTION: ORDMC-11.90

ORDNANCE NO	8723-894
MS PART NO	F11N
	-1 330-4284

DISPOSITIONS ARMY-ORD NAVY-DOCKS AF-AIR FORCE PROCUREM SPECIFICATION MIL-C-14368	DIMEN INT 1-T, E, SIG 1-A, MC, SH 1-	<p style="text-align: center;">MILITARY STANDARD</p> REGULATOR, ENGINE GENERATOR: 24 VOLTS D.C.: 150-400 AMPERE, CARBON PILE	<p style="font-size: 2em; font-weight: bold;">MS51005</p>
SUPERSEDES:		SHEET 1 OF 2	

21 JAN 1956

FED SUP CLASS
2920



VOLTAGE REGULATOR ASS'Y 8723895

RELAY ASS'Y 8689245

WIRING DIAGRAM

CONTACT DESIGNATION	GENERATOR CONNECTOR	BATTERY CONNECTOR
A	(+) GENERATOR MAIN ENGINE	BATTERY CONNECTION
B		VOLTAGE ADJUSTMENT RHEOSTAT
C	(-) EQUALIZER CIRCUIT	AUX. GENERATOR EQUALIZER CIRCUIT
D	GENERATOR FIELD	VOLTAGE ADJUSTMENT RHEOSTAT
E	(-) EQUALIZER CIRCUIT	AUX. GENERATOR EQUALIZER CIRCUIT
F		AUXILIARY GENERATOR SWITCH
G	(+) GENERATOR MAIN ENGINE	BATTERY CONNECTION
H	(+) GENERATOR INDICATOR LIGHT	

NOTE:

- (1) WIRING DIAGRAM IS FOR INFORMATIONAL PURPOSES ONLY. OPTIONAL WIRING IS PERMISSIBLE PROVIDING INTERCHANGEABILITY IS NOT AFFECTED.

ORDNANCE NO	
8723894	
MS PART NO	FIIN
	-1338-4264

APPROVED 21 JAN 1956 REVISED

CUSTOMIANS ARMY-ORD	OTHER INT. A-T, E, SIG	MILITARY STANDARD	MS 51005
NAVY-YDS BDRS	N-A, MC, SH		
AF-AIR FORCE	AF-	REGULATOR, ENGINE GENERATOR: 24 VOLTS D.C.: 150-400 AMPERE, CARBON PILE	
PROCUREMENT SPECIFICATION MIL-C-14368	SUPERSEDES:	SHEET 2 OF 2	

NOTICE: When Government drawings, specifications, or other data are used for any purpose other than in connection with a definitely related Government procurement operation, the United States Government thereby incurs no responsibility or obligation, and the fact that the Government may have furnished, furnished, or in any way applied the said drawings, specifications, or other data in any way shall not be regarded as an endorsement, approval, or other form of recognition by the Government, or as implying that any patent infringement may be liable to any person or corporation, or conveying any rights of protection to manufacturer, user, or seller of any patented invention that may in any way be related thereto.