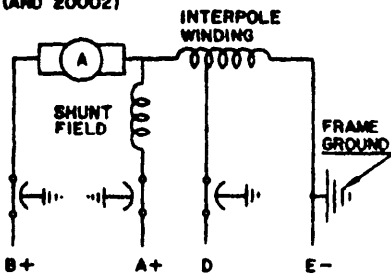
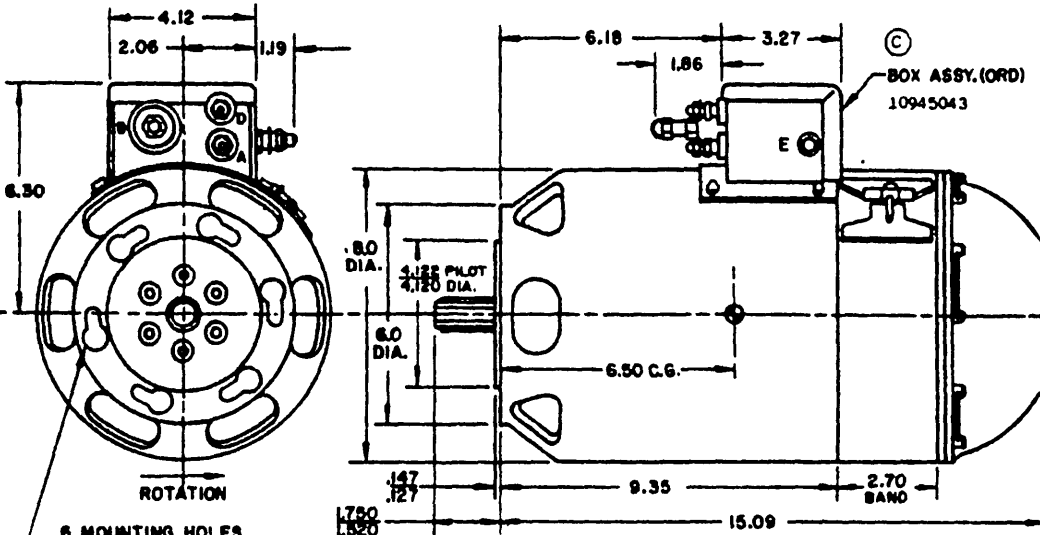


FED SUP CLASS
2920



PERFORMANCE TEST REQUIREMENTS

MIN. AMPS	RPM	COMMENTS
0	1500	CUT-IN SPEED
100	1625	
200	1750	
300	1900	MIN. SPEED RATED OUTPUT
380	2000	PERFORMANCE CHECK POINT
425	2500	
425	3000	
425	4000	
425	5000	
425	6000	
360	8000	MAX. OPERATING SPEED
	10000	OVERSPEED

NOTE: GENERATOR PERFORMANCE REQUIREMENTS SHOWN ABOVE SHALL BE OBTAINED WHEN GENERATOR IS ASSEMBLED AND TESTED WITH BLOWER 10898759 AND ADAPTER 10884044 IN ACCORDANCE WITH MIL-G-62061(AT).

NOTES:

- THIS ASSEMBLY INCLUDES A DIRECT DRIVEN BLOWER.
- THIS STANDARD IS FOR USE WITH MILITARY AND MODIFIED COMMERCIAL DESIGNED EQUIPMENT ONLY.
- SPLINE DATA: .867-.005 O.D., 16 TEETH, 20-30 PITCH, 30 PRESSURE ANGLE, .800 P.D.
- RATING DATA: RATED SPEED 2000/8000 RPM, OVERSPEED 10000 RPM, UNIT WEIGHT 94 LBS. (APPROXIMATELY).
- UNLESS OTHERWISE SPECIFIED, DIMENSIONS ARE IN INCHES.
- REFERENCED DOCUMENTS SHALL BE OF THE ISSUE IN EFFECT ON DATE OF INVITATION FOR BID.
- FOR DESIGN FEATURE PURPOSES, THIS STANDARD TAKES PRECEDENCE OVER PROCUREMENT DOCUMENTS REFERENCED HEREIN.
- DIMENSIONS SHOWN ARE FOR ENGINEERING REFERENCE.
- DETAILS OF THIS ASSEMBLY SHALL BE IN ACCORDANCE WITH REFERENCED DRAWING WHICH MAY BE OBTAINED FROM U.S. ARMY TANK-AUTOMOTIVE COMMAND, ATTN: STANDARDIZATION BRANCH, WARREN, MICHIGAN, 48090.

REVIEW ACTIVITIES
USER ACTIVITIES ARMY-EL; NAVY-MC

This military standard has been approved by the Department of Defense and is mandatory for use by all Departments and Agencies of the Department of Defense. Selection for all new engineering and design applications and for repetitive use shall be made from this document.

16 JANUARY 1969
9 JUNE 1966
19 SEPTEMBER 1967
25 JULY 1973

MS PART NO.	REFERENCE DRAWING NO.
MS 51004-1	8717421

P A ARMY-AT Other Cust AF-82	TITLE GENERATOR, ENGINE ACCESSORY: 28 VOLTS, DC, 300 AMPERE
PROCUREMENT SPECIFICATION MIL-G-62061 (AT)	SUPERSEDES

MILITARY STANDARD	
MS 51004	
SHEET	OF