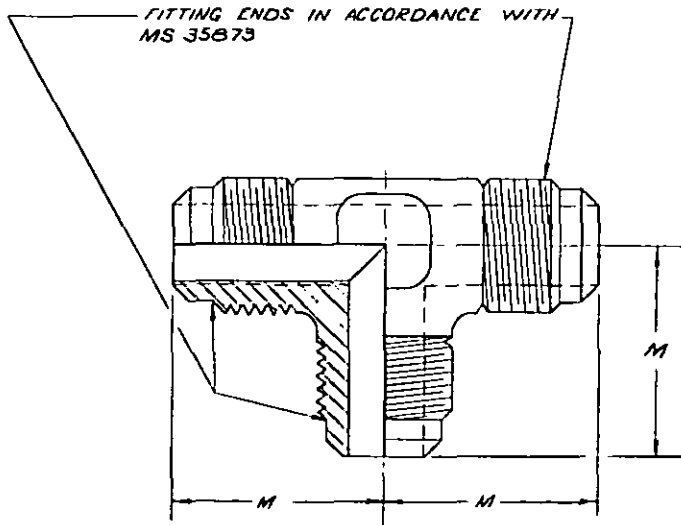


FED. SUP CLASS  
4780



(B)

DASH NUMBER	SIZE	M ±.031
-1	1/4	0.922
-2	3/8	1.062
-3	1/2	1.219
-4	5/8	1.406

NOTES:

- (C) 1. FITTINGS SHALL BE MADE FROM COPPER ALLOY NO. 360 or 377, of QQ-B-626.
- 2. DIMENSIONS IN INCHES.
- 3. REFERENCED DOCUMENTS SHALL BE THE ISSUE IN EFFECT ON DATE OF INVITATION FOR BIDS OR REQUEST FOR PROPOSAL.
- 4. FOR DESIGN FEATURE PURPOSES, THIS STANDARD TAKES PRECEDENCE OVER PROCUREMENT DOCUMENTS REFERENCED HEREIN.
- (B) 5. PART NUMBER: THE MS PART NUMBER CONSISTS OF THE MS NUMBER PLUS THE DASH NUMBER. EXAMPLE: MS 49008-1.

This Military Standard is approved for use by all Departments and Agencies of the Department of Defense. Selection for all new engineering and design applications and for repetitive use shall be made from this document.

User  
CE, MO  
MC, SE

Review  
PD

CS

Army  
Navy  
DGA

APPROVED 15 APRIL 63 REVISED (A) 28 DEC 1967 (B) 21 MAR 75

P.A. Other Cust ARMY - GL NAVY - YD USAF - BZ	TITLE TEES, TUBE, FLARE CONNECTIONS, REFRIGERATION	MILITARY STANDARD
		MS 49008
PROCUREMENT SPECIFICATION NONE	SUPERSEDES:	SHEET / OF /