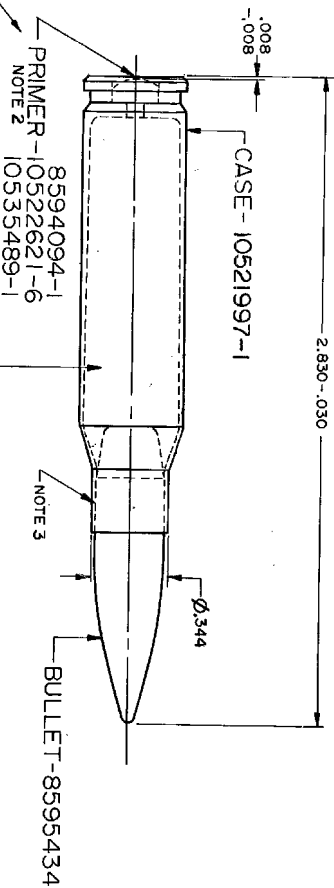
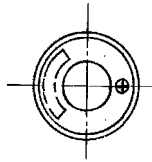


REV	DESCRIPTION	DATE	APPROVED
G	REPLACES REV F WITH CHANGES; SEE EDR S10007	3-9-71	
H	(1-6) SEE ERR# S20068	8-7-72	
J	NOR A25 2012/820730	830228	W/M
K	NOR A25 2012/820730	830228	W/M
L	NOR A252033	831214	W/M
M	NOR A452026, 840730	841207	W/M

C8597555



- NOTES:
- 1- SPEC MIL-A-2550 AND ANSI Y14.5M4982 APPLY.
 - 2- PRIMER TO BE SECURED IN POCKET BY A CIRCULAR CRIMP. JOINT BETWEEN WALLS OF PRIMER AND POCKET TO BE WATERPROOFED WITH A VISIBLE MATERIAL, SPEC MIL-L-10287 (SEE NOTE 5).
 - 3- WATERPROOFING APPLIED IN NECK, SPEC MIL-C-13783 (SEE NOTE 6) OR DMS 10522811.
 - 4- THE LISTED NOMINAL CHARGE WEIGHT MAY BE VARIED TO COMPLY WITH BALLISTIC REQUIREMENTS.

- 5- THINNER: DOPE AND LACQUER (CELLULOSE NITRATE), SPEC TT-T-266, USED WITH NOTE 2.
- 6- METHYL CHLOROFORM, SPEC O-T-620, USED WITH NOTE 3.

U.S. ARMY AMMUNITION RESEARCH AND DEVELOPMENT CENTER
DOVER, NEW JERSEY 07801

DDD HAZARD CLASSIFICATION _____ 1,4
 DOD STORAGE COMPATIBILITY GROUP _____ C
 DDT HAZARD CLASSIFICATION _____ SMALL ARMS AMMUNITION *
 DOT CONTAINER MARKING _____

PART No. 8597555

SEE SEPARATE PARTS LIST 8597555

MIL. AIRCRAFT PROVENTS		10521862	CRTG M118	UNLESS OTHERWISE SPECIFIED DIMENSIONS ARE IN INCHES FRACTIONS * ANGLES *	
VS	W/M19A1	10521863	CRTG M118	TOLERANCES ON DIMENSIONS * MATERIAL	
EL 2	W/M2A1	SEE ENGINEERING RECORDS		HEAT TREAT	
BH	W/M2A1	NEXT ASSY USED ON		PROTECTIVE FINISH	
RH	W/M2A1	APPLICATION		DO NOT APPLY PART NO.	
DO NOT	DO NOT	APPLICATION		DO NOT	

DATE	MAY 27 1960
ORIGINAL	W/M
TRACER	W/M
ENGINE	W/M
APPROVED	W/M
APPROVED	W/M

SIZE	FSCM NO.	QUANTITY NO.
C19200	8597555	M118

CARTRIDGE,
7.62 MM, NATO, SPECIAL BALL

4 3 2 1