

MIL-M-3971/2C
 31 January 1985
 SUPERSEDING
 MIL-M-3971/2B
 13 December 1974

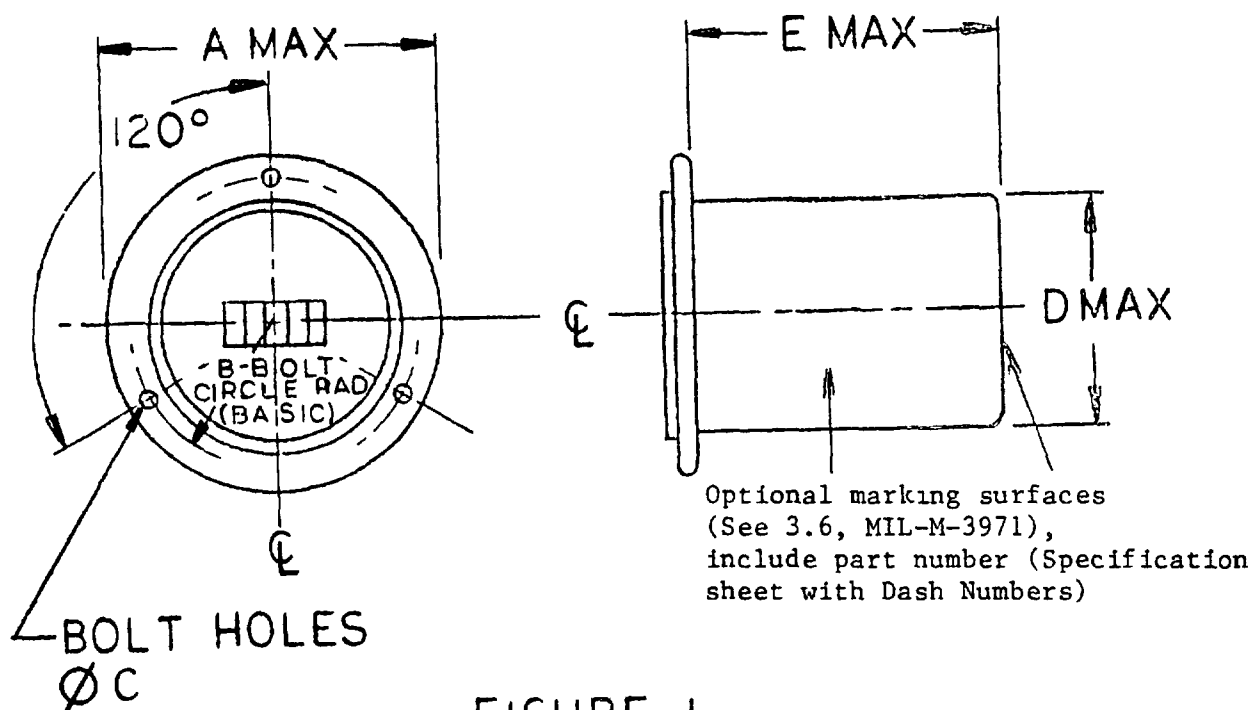
MILITARY SPECIFICATION SHEET

METERS, TIME TOTALIZING, NON HERMETICALLY SEALED,
 ELECTRICAL: TYPE II, 120V, 60CPS AND 120V, 400CPS
 GRADE A AND B, 2 HOLE AND 3 HOLE FLANGE



This specification is approved for use by all Departments and Agencies of the Department of Defense.

The complete requirements for procuring meters described herein shall consist of this document and the issue in effect on MIL-M-3971.



© denotes changes

MIL-M-3971/2C

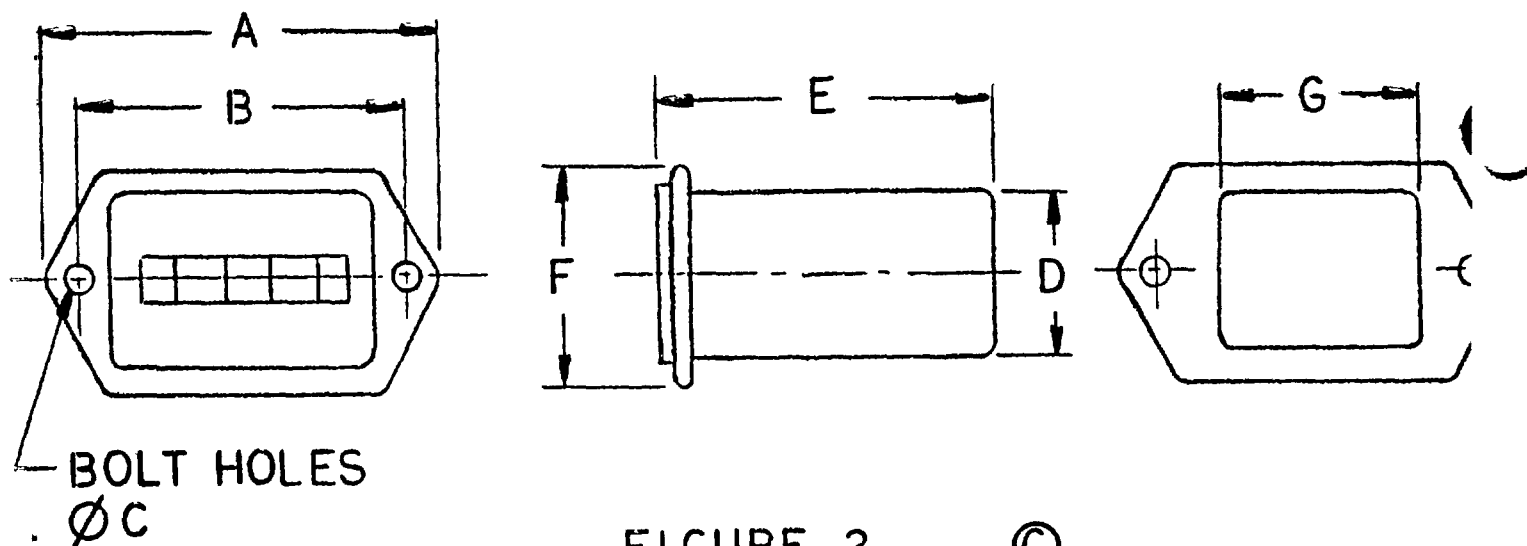


TABLE 1

DASH NO.	FIG.	A	B	C	D	E	F	G	Grade	Hz	Range	Readout
1	1	2.695	1.220	.125	2.210	3.00	-	-	A	60	100,000	99999.9
2	1	3.500	1.580	.150	2.625	3.00	-	-	A	60	100,000	99999.9
3	1	2.875	1.265	.150	2.210	3.00	-	-	A	400	10,000	9999.9
4	1	3.500	1.580	.150	2.625	3.00	-	-	A	400	10,000	9999.9
5	1	2.695	1.220	.125	2.210	3.00	-	-	B	60	100,000	99999.9
6	1	3.500	1.580	.150	2.625	3.00	-	-	B	60	100,000	99999.9
7	1	2.875	1.265	.150	2.210	3.00	-	-	B	400	10,000	9999.9
8	1	3.500	1.580	.150	2.625	3.00	-	-	B	400	10,000	9999.9
9	2	2.12	1.750	.045	.936	1.950	1.020	1.450	A	60	100,000	99999.9
10	2	2.12	1.750	.045	.936	1.950	1.020	1.450	B	60	100,000	99999.9

MIL-M-3971/2C

NOTES:

1. Dimensions are in inches
2. Tolerances: Dimensional ± 0.015 inches, unless otherwise indicated
Angular $\pm 0.5^\circ$
3. Range and readout are in hours and tenth of hours

REQUIREMENTS

Dimensions of case: See Figure 1 and 2 and Table I, as applicable ©

Colors, elapsed time indicator:

- © Hours: White on black background
© Tents: Black on white background

Power consumption: Not applicable.

Dielectric strength: Voltage - Dash numbers 1,2,5,6,9 & 10 - 1000 volts rms ©
Dash numbers 3,4,7 & 8 - 500 volts rms

Frequency - 60 Hz
Potential - ac
Points of application - Terminals and case

Weight: 1.00 lb. maximum

Starting: Energize for 60 seconds at $+22^\circ\text{C}$ ($\pm 2^\circ\text{C}$),
de-energize for 180 seconds, repeat 5 times.
Meter to start within 10 seconds.

Stopping: Within 120 seconds after being de-energized.

Power supply tolerance: 60 Hz meters - $\frac{1}{2}$ hour at 115 volts, 50 Hz
 $\frac{1}{2}$ hour at 128 volts, 70 Hz
400 Hz meters - $\frac{1}{2}$ hour at 115 volts, 300 Hz ©
 $\frac{1}{2}$ hour at 128 volts, 500 Hz

Part number: Consists of the basic number of this specification sheet and a dash number taken from Table I.

Example:

M3971/2-1

Basic number	_____
Specification sheet number	_____
Dash number from Table I	_____

MIL-M-3971/2C

Custodians:

Army - AR
Navy - SA
Air Force - 99

Preparing activity:

Army - AR

Project No. 6645-0367

Review activities:

Army -
Navy - YD
Air Force - 11
DLA - GS

User activities:

Army - ER, ME
Navy - MC, AS