

INCH POUND

MIL-L-3661B
 AMENDMENT 4
 09 December 1991
 SUPERSEDING
 AMENDMENT 3
 17 February 1972

MILITARY SPECIFICATION

LAMP HOLDERS, INDICATOR LIGHTS, INDICATOR-LIGHT HOUSINGS,
 AND INDICATOR-LIGHT LENSES,
 GENERAL SPECIFICATION FOR

This amendment forms a part of MIL-L-3661B, dated 27 March 1967, and is approved for use by all Departments and Agencies of the Department of Defense.

PAGE 1

Paragraph 1.2.1: In the example, delete "LH72"
 Style
 (1.2.1.1)

and substitute "LH79"
 Style
 (1.2.1.1).

Paragraph 1.2.2: Delete the example and substitute

<u>LC23</u>	<u>B</u>	<u>D</u>	<u>3</u>
Style	Color	Transmittance	Lens
(1.2.2.1)	(1.2.2.2)	(1.2.2.3)	material
			(1.2.2.4)".

Delete "FSC 6250, 6210," and substitute "FSC 6210".

PAGE 2

Paragraph 1.2.2.3: In Note 3 of Table II, delete "glass or".

Paragraph 1.2.2.4: In Table III, delete "Symbol 1" and "Glass (-65°C. to +200°C.)".

AMSC N/A

1 of 10

FSC 6210

DISTRIBUTION STATEMENT A. Approved for public release;
 distribution is unlimited.

MIL-L-3661B
AMENDMENT 4

PAGE 2

Paragraph 1.2.2.4: Add "(see 3.2)".

Paragraph 1.2.3: In the example, delete "BT1"
(1.2.2.2
to 1.2.2.4)

and substitute "BT2"
(1.2.2.2
to 1.2.2.4).

In the title and in the body of the paragraph, delete "non-replaceable" and substitute "non-removable".

PAGES 3 AND 4

2.1 and 2.2 Delete: "MIL-P-17091, MIL-M-19887, MIL-M-20693," which have been superseded by ASTM D4066.

Add: "AMERICAN SOCIETY FOR TESTING AND MATERIALS

ASTM D4066 - Nylon Injection and
Extrusion Materials.

(Application for copies should be addressed to the American Society for Testing and Materials, 1916 Race Street, Philadelphia, PA 19103.)"

Delete: "MIL-C-45662," which has been superseded by MIL-STD-45662.

Add: "MIL-STD-45662 - Calibration Systems
Requirements."

Below "MIL-STD-108": Add "MIL-STD-129 - Marking for
Shipment and Storage."

Delete: "MIL-STD-456," which has been superseded by MIL-STD-1285.

Add: "MIL-STD-1285 - Marking of Electrical
and Electronic Parts."

MIL-L-3661B
AMENDMENT 4

PAGE 5

Paragraph 3.3.4, after "Plastic material": Add "(not applicable for lenses)".

Paragraph 3.4.2.1, third and fourth lines: Delete "unless" and substitute "unless".

Paragraph 3.4.3, after "permitted": Add "unless otherwise specified on the specification sheet (see 3.2)."

PAGE 6

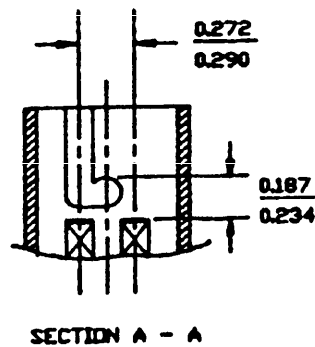
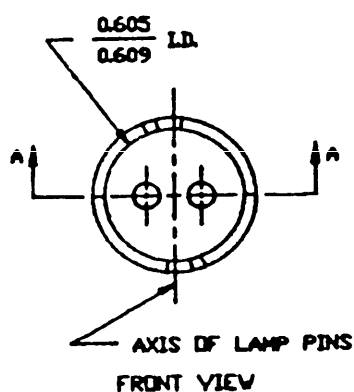
Paragraph 3.4.6, third and fourth lines: Delete "...shall have a ± 20 percent tolerance" and substitute "...shall have a tolerance not to exceed ± 20 percent".

Paragraph 3.4.9.2.2, Point 1: Delete ".075" for X-Axis and ".240" for Y-Axis and substitute ".065" and ".220" respectively. Point 4: Delete ".160" for X-Axis and ".244" for Y-Axis and substitute ".165" and ".270" respectively.

PAGE 7

Paragraph 3.4.10.1.1, sixth and seventh lines: Delete and substitute "...sockets, and .187 inch minimum, .234 inch maximum for candelabra bayonet lamp sockets (see figure 1)."

Figure 1: Delete "Candelabra Lamp Sockets" figure and substitute the attached "Candelabra Bayonet Lamp Sockets" figure.



INCHES	MM
.187	4.75
.234	5.94
.272	6.91
.290	7.37
.605	15.37
.609	15.47

NOTE: ALL DIMENSIONS IN INCHES

CANDELABRA BAYONET LAMP SOCKETS
FIGURE 1. Moving Contacts

MIL-L-3661B
AMENDMENT 4

PAGE 8

Paragraph 3.5.7: Delete and substitute "Contact resistance (not applicable to non-removable lens type indicator lights, or to lamp housings with integral resistors)."

Paragraph 3.5.8: Add subparagraph "(d) Submidget flange base lamps, 6-9 ounces."

PAGE 9

Paragraph 3.5.10: Delete "Sealings" and substitute "Sealing".

PAGE 11

Paragraph 4.5, in the first sentence: Delete "Naval Ship Engineering Center" and substitute "Government."

PAGE 13

Table VI, for contact resistance and dielectric withstanding voltage: Add major defect AQL of "1.0" and minor defect AQL "----".

Paragraph 4.6.4, third sentence: Delete "non-replaceable" and substitute "non-removable". Add "as defined in 4.5.3.2" to the third sentence.

PAGE 16

Paragraph 4.7.5, subparagraph (c): Delete "glass" and substitute "materials".

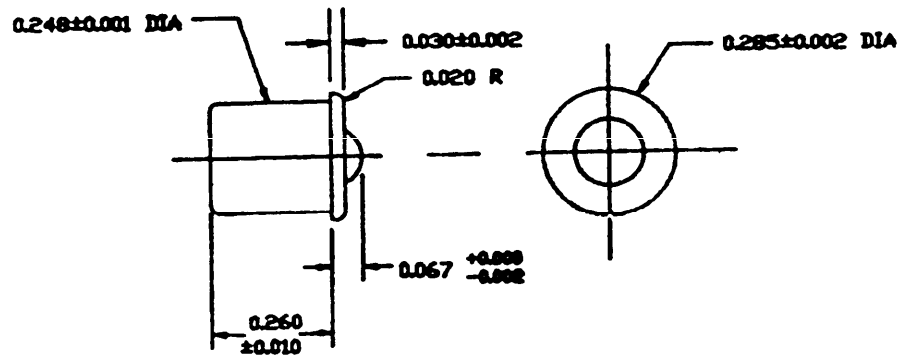
Paragraph 4.7.8.1: Delete first sentence and substitute "The contact resistance of lampholders, indicator lights and indicator-light housings, accommodating T-1 submidget flange base lamps and T-1-3/4 midget flange base lamps, T-3-1/4 bayonet base lamps and double contact candelabra base lamps, shall be tested in accordance with 4.7.8 and as follows:".

PAGE 17

Paragraph 4.7.8.1, subparagraph (c): Add "(open circuit voltage)".

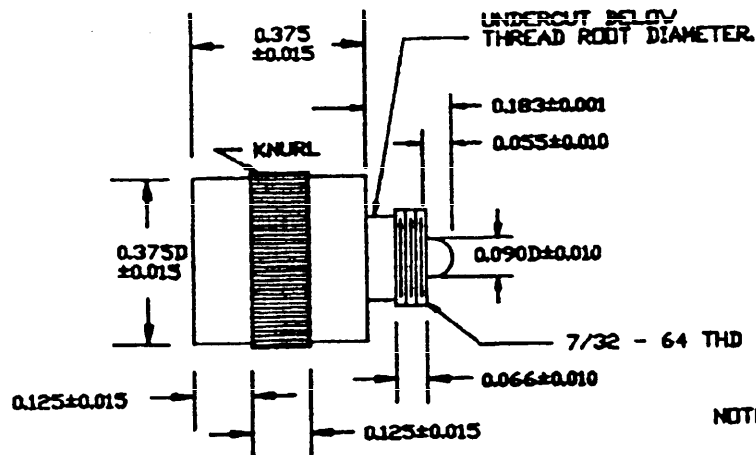
MIL-L-3661B
AMENDMENT 4

Figure 2: Delete and substitute the attached figure 2.



MIDGET FLANGE TEST PLUG

INCHES	MM
.001	0.02
.002	0.05
.010	0.25
.015	0.38
.020	0.51
.030	0.76
.035	1.40
.066	1.68
.067	1.70
.090	2.29
.125	3.18
.183	4.65
.248	6.30
.260	6.60
.285	7.24
.375	9.53



SUBMIDGET FLANGE TEST PLUG

NOTE: ALL DIMENSIONS IN INCHES.

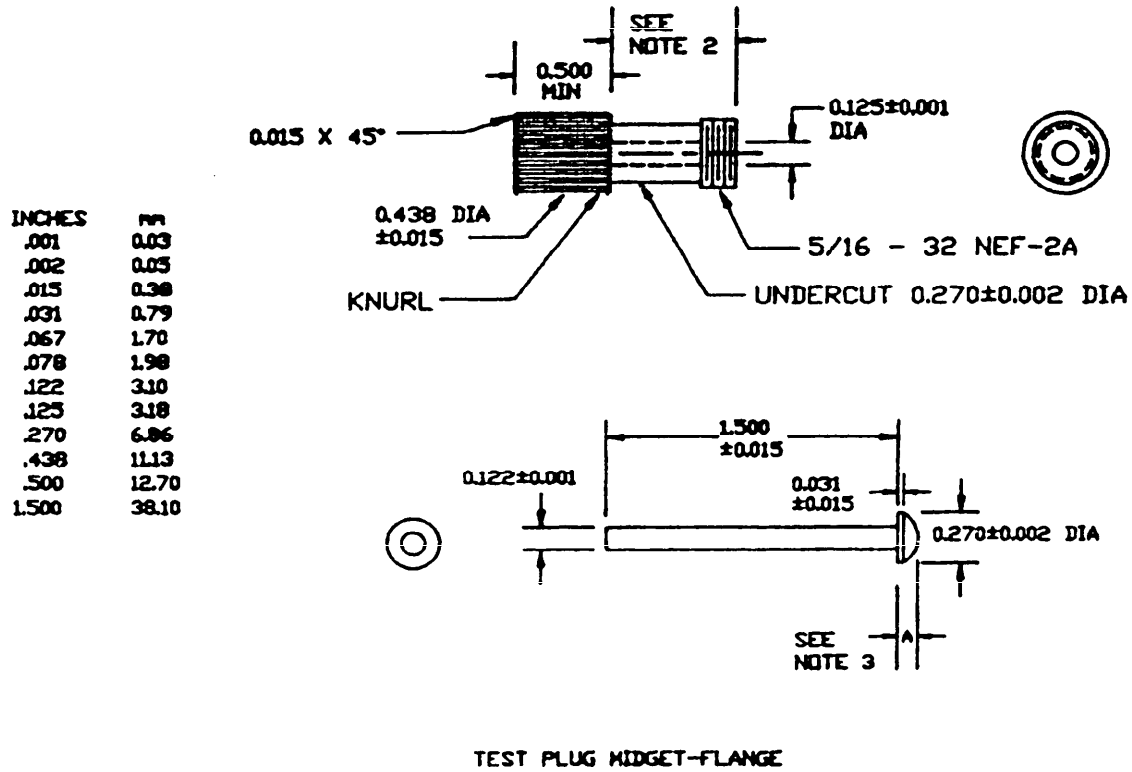
FIGURE 2. Midget and submidget flange base test plugs

Paragraph 4.7.8.2, subparagraph (c): Add "(open circuit voltage)".

MIL-L-3661B
AMENDMENT 4

PAGE 19

Figure 6: Delete and substitute the attached figure 6.

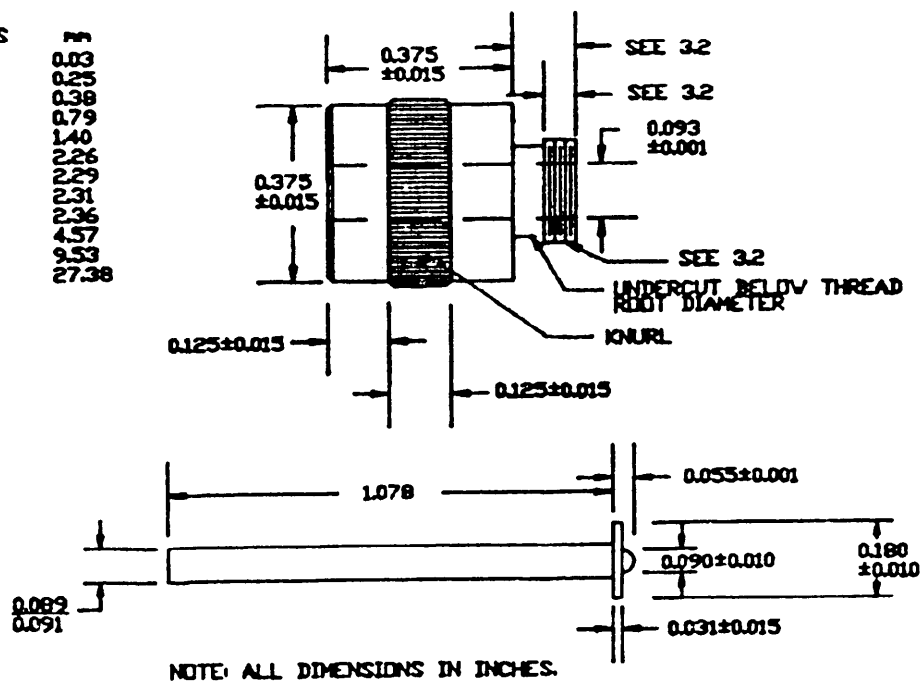


- NOTES:
1. ALL DIMENSIONS IN INCHES.
 2. THE SHANK LENGTH SHALL BE AS REQUIRED (SEE 3.2).
 3. FOR INCANDESCENT A = 0.067 + 0.000 - 0.002
- FOR NEON A = 0.078 + 0.000 - 0.002

FIGURE 6. ~~Test plugs for midget and submidget-flange-base indicator-light-housings (contact-spring-pressure test)~~

MIL-L-3661B
AMENDMENT 4

INCHES	MM
.001	0.03
.010	0.25
.015	0.38
.031	0.79
.053	1.40
.069	2.26
.090	2.29
.091	2.31
.093	2.36
.180	4.57
.375	9.53
L078	27.38



TEST PLUG FOR MIDGET-FLANGE-BASE-INDICATOR-LIGHT HOUSINGS

FIGURE 6. Test plugs for midget and submidget-flange-base-indicator-light housings (contact-spring-pressure test)

PAGE 20

Paragraph 4.7.9.1: Delete and substitute

"4.7.9.1 Flange base holders.

4.7.9.1.1 Midget flange base holders. For midget flange base holders, a test plug and test plug plunger (see figure 6) shall be assembled (such that the shoulder of the plunger seats on the threaded end of the plug) and the test plug shall be inserted to maximum engagement (minimum depressed position). The spring force shall then be measured and shall be within the minimum spring pressure specified. The test plug plunger shall be depressed 0.032 \pm .002 and the spring force shall again be measured and shall not exceed the maximum spring pressure specified. Lampholder springs shall then be subjected to a

MIL-L-3661B
AMENDMENT 4

minimum of 500 cycles of operation from the minimum depressed position to $.032 \pm .002$ past the minimum depressed position. Following the 500 cycles, minimum spring force shall again be measured and shall be as specified.

4.7.9.1.2 Submidget flange base holders. For submidget flange base holders, a test plug and test plug plunger (see figure 6) shall be assembled (such that the shoulder of the plunger seats on the threaded end of the plug) and the test plug shall be inserted to maximum engagement (minimum depressed position). The spring force shall then be measured and shall be within the minimum spring pressure specified. The test plug plunger shall then be depressed $0.030 \pm .002$ for incandescent bulb units; the spring force shall again be measured and shall not exceed the maximum spring pressure specified. Lampholder springs shall then be subjected to a minimum of 500 cycles of operation from the minimum depressed position to $0.030 \pm .002$ past the minimum depressed position. Following the 500 cycles, minimum spring force shall again be measured and shall be as specified."

PAGE 21

Paragraph 4.7.10.4, subparagraph (c), after "2 pound-inches": Add "nor be less than 2 ounce-inches".

PAGE 22

Paragraph 4.7.12, subparagraph (c): Delete the last sentence.

Paragraph 4.7.13: Delete the first sentence and substitute "Indicator lights with removable lenses shall be mounted on a 1/8-inch aluminum panel and shall be subjected to 1,000 hours of continuous operation with the lamp of the highest wattage, operated at its maximum voltage, the holder will accommodate."

PAGE 23

Paragraph 4.7.16, subparagraph (c): Add "Unless otherwise specified (see 3.2)".

Paragraph 4.7.17.1, subparagraph (b): Delete and substitute "Test-condition - B".

MIL-L-3661B
AMENDMENT 4

PAGE 24

Paragraph 4.7.17.1, subparagraph (e): Delete "(Lamp failure excluded)".

PAGE 25

Paragraph 5.2.1.1: Delete and substitute

"5.2.1.1 Preservation, packaging, and packing. Lampholders, indicator lights, indicator light housings and lenses shall be preserved and packaged level A or C, packed level A, B, or C in accordance with MIL-E-17555, as specified (see 6.2)."

Add paragraph:

"5.3 Marking. Marking shall be in accordance with MIL-STD-129."

PAGE 26

Table IX: Add the reference to note "1/" to the table title "Grouping of Metals".

Below table IX: Add "1/ Solder used for terminal coating is not considered dissimilar with any of the above groupings."

Paragraph 6.4, third sentence: Delete and substitute "The activity responsible for the qualified products list is the Naval Electronic Systems Command; however, information pertaining to qualification of products may be obtained from the Defense Electronics Supply Center, ATTN: DESC-EQ, Dayton, OH 45401." Fourth sentence: Delete "'Provisions Governing Qualification'" and substitute "'Provisions Governing Qualification (SD-6)'".

Paragraph 6.4.1: Delete "'Provisions Governing Qualification'" and substitute "'Provisions Governing Qualification (SD-6)'". Delete "Naval Supply Depot" and substitute "Naval Publications and Forms Center".

PAGE 27

Paragraph 6.5.4: Delete "glass or".

MIL-L-3661B
AMENDMENT 4

NOTE: The margins of this amendment are marked with an asterisk to indicate where a change (addition, modification, correction, deletion) from the previous amendment was made. This was done as a convenience only and the Government assumes no liability whatsoever for any inaccuracies in these notations. Bidders and contractors are cautioned to evaluate the requirements of this document based on the entire content irrespective of the marginal notation and relationship to the last previous amendment.

Custodians:

Navy - EC
Air Force - 99

Review activities:

Army - AR, EA, MI
Air Force - 82
DLA-GS

User activities:

Army - ME
Navy - MC, AS, OS, SH

Preparing activity:

Navy - EC

Agent:

DLA-GS

(Project 6210-1043)