

INCH-POUND

MIL-E-2036D(SH)

10 March 1968

SUPERSEDING

MIL-E-2036C(NAVY)

30 September 1958

(See 6 8)

MILITARY SPECIFICATION

ENCLOSURES FOR ELECTRIC AND ELECTRONIC EQUIPMENT

This specification is approved for use within the Naval Sea Systems Command, Department of the Navy, and is available for use by all Departments and Agencies of the Department of Defense.

1. SCOPE

1.1 Scope This specification covers requirements for enclosures that house electric and electronic equipment for Naval shipboard use. Details concerning construction, ventilation, cooling, and mechanical protection are included in this specification. This specification also covers that class of explosionproof equipment which will contain any spark or ignition within the enclosure and not permit ignition in the surrounding external atmosphere as a result of normal operation or failure of electrical circuits within the enclosure. This specification is not intended to cover enclosures which form an integral part of equipment such as batteries.

1.2 Classification. Enclosures shall be of the following classes and types (degree of enclosure), as specified (see 6.2.1):

Class 1 - For other than motors, generators, and similar rotating equipment.

Types:

Airtight	Open, protected
Dripproof (15 degrees)	Splashproof
Dripproof (15 degrees) protected	Splashproof, protected
Dripproof (45 degrees)	Submersible (15 foot)
Dripproof (45 degrees) protected	Submersible (50 foot)
Dust-ignition proof	Submersible (1600 foot)
	Open-submersible (15 foot)

Beneficial comments (recommendations, additions, deletions) and any pertinent data which may be of use in improving this document should be addressed to Commander, Naval Sea Systems Command, SEA 5523, Department of the Navy, Washington, DC 20362-5101 by using the self-addressed Standardization Document Improvement Proposal (DD Form 1426) appearing at the end of this document or by letter

AMSC N/A

FSC 5935

DISTRIBUTION STATEMENT A Approved for public release; distribution unlimited

MIL-E-2036D(SH)

Types

Dustproof	Open-submersible (50 foot)
Dusttight	Open-submersible (1600 foot)
Explosionproof	Totally enclosed
Hermetic	Watertight
Open	

Class 2 - For motors, generators, and similar rotating equipment

Types:

Airtight	Open
Dripproof (15 degrees)	Open, protected
Dripproof (15 degrees) protected	Splashproof
Dripproof (45 degrees)	Splashproof, protected
Dripproof (45 degrees) protected	Spraytight
Dust-ignition proof	Spraytight (fan cooled)
Dustproof	Submersible (15 foot)
Dusttight	Open-submersible (15 foot)
Explosionproof	Open-submersible (50 foot)
Explosionproof (fan-cooled)	Open-submersible (1600 foot)
Submersible (50 foot)	Totally enclosed
Submersible (1600 foot)	Totally enclosed (fan-cooled)
	Totally enclosed (water-air-cooled)
	Watertight

1 2.1 Equipment designated as fan-cooled shall be as described in MIL-STD-108. Fan-cooled motors, generators, and similar equipment are listed herein because the term fan-cooled is frequently used as part of the enclosure designation. This specification does not contain separate requirements for fan-cooled equipment. The requirements applicable to explosionproof, spraytight, and totally enclosed motors, generators, and similar equipment also apply respectively to explosionproof (fan-cooled), spraytight (fan-cooled), and totally enclosed (fan-cooled) motors, generators and similar equipment.

2 APPLICABLE DOCUMENTS

2 1 Government documents.

2.1.1 Specifications and standards The following specifications and standards form a part of this specification to the extent specified herein. Unless otherwise specified, the issues of these documents shall be those listed in the issue of the Department of Defense Index of Specifications and Standards (DoDISS) and supplement thereto, cited in the solicitation.

MIL-E-2036D(SM)

SPECIFICATIONS

FEDERAL

- L-P-504 - Plastic Sheet and Film, Cellulose Acetate.
- L-P-535 - Plastic Sheet (Sheeting): Plastic Strip Poly (Vinyl Chloride) and Poly (Vinyl Chloride-Vinyl Acetate), Rigid.
- W-F-406 - Fittings for Cable, Power, Electrical and Conduit, Metal, Flexible.

MILITARY

- MIL-I-631 - Insulation, Electrical, Synthetic-Resin Composition, Nonrigid
- MIL-R-900 - Rubber Gasket Material, 45 Durometer Hardness.
- MIL-S-901 - Shock Tests, H I. (High-Impact): Shipboard Machinery, Equipment and Systems, Requirement for
- MIL-E-917 - Electric Power Equipment, Basic Requirements (Naval Shipboard Use).
- MIL-P-7788 - Panels, Information, Integrally Illuminated
- MIL-P-15024 - Plates, Tags and Bands for Identification of Equipment.
- MIL-P-15024/5 - Plates, Identification.
- MIL-S-16032 - Switches and Detectors, Shipboard Alarm Systems
- MIL-C-19836 - Coolers, Fluid, Industrial, Air Motor and Generator, Naval Shipboard.

STANDARDS

FEDERAL

- FED-STD-H28/2 - Screw-Thread Standards for Federal Services, Section 2, Unified Inch Screw Threads - UN and UNR Thread Forms.

MILITARY

- MIL-STD-108 - Definitions of and Basic Requirements for Enclosures for Electric and Electronic Equipment.
- MIL-STD-454 - Standard General Requirements for Electronic Equipment.
- MIL-STD-810 - Environmental Test Methods and Engineering Guidelines.
- MIL-STD-1310 - Shipboard Bonding, Grounding, and Other Techniques for Electromagnetic Compatibility and Safety.
- MIL-STD-1680 - Installation Criteria for Shipboard Secure Electrical Information Processing Systems.
- DOD-STD-2143 - Magnetic Silencing Requirements for the Construction of Nonmagnetic Ships and Craft. (Metric)

(Copies of specifications and standards required by contractors in connection with specific acquisition functions should be obtained from the contracting activity or as directed by the contracting activity)

MIL-E-2056D(SH)

2.2 Order of precedence In the event of a conflict between the text of this specification and the references cited herein (except for associated detail specifications, specification sheets or MS standards), the text of this specification shall take precedence. Nothing in this specification, however, shall supersede applicable laws and regulations unless a specific exemption has been obtained.

3 REQUIREMENTS

3.1 General Enclosures shall be in accordance with this specification and the requirements of MIL-STD-108.

3.1.1 Basic requirements The requirements of MIL-E-917 shall apply for the following:

- (a) Equipment mounting (HI-shock).
- (b) Materials
- (c) Threaded parts and fastening devices
- (d) Treatment and processing of metals for corrosion resistance
- (e) Painting (see 6.3)
- (f) Welding

3.1.2 Nonmagnetic enclosures When equipment is specified or required to be nonmagnetic, the material used shall have a permeability of not greater than 2.0. Enclosures for nonmagnetic ships and craft shall be in accordance with DOD-STD-2143.

3.1.3 Eddy current magnetism Eddy current magnetism requirements apply to nonmagnetic ships and craft only and shall be in accordance with DOD-STD-2143 (see 6.3).

TABLE I. Face areas.

(1) Conductivity relative to copper ¹	(2) Thickness of material (inches) ²	(3) Cross sectional area ³ (in ²)	(4) Maximum allowable face area for face of enclosure ^{2, 4, 5} (ft ²)
Greater than 10 percent	0.25 to 2	10 to 48	5
Greater than 10 percent	Less than 0.25	Less than 10	12
0.29 to 10 percent	Less than 0.25	Less than 24	30

See footnotes at end of table

MIL-E-2036D(SH)

TABLE I. Face areas. - (Continued)

(1) Conductivity relative to copper ¹	(2) Thickness of material (inches) ²	(3) Cross sectional area ⁴ (in ²)	(4) Maximum allowable face area for face of enclosure ^{2, 4, 5} (ft ²)
Less than 10 percent	0.25 to 1	24 to 28	20
Less than 0.5 percent	Any	Less than 24	No restrictions

¹ Percentage of conductivity (column 1) refers to the electrical conductivity of the material relative to copper which is rated at 100 percent. Common materials having conductivity greater than 10 percent of that of copper include aluminum, brass, and bronze. Those having less than 10 percent include steel (all types) and nickel-copper-aluminum.

² (Column 4). The face of the enclosure is that side which has the largest electrically continuous conducting area.

³ From the thickness of the material (column 2), determine the maximum allowable area for the face of the enclosure (column 4).

⁴ Obtain the cross sectional area of the material (column 3) by taking the product of the thickness of the material and the dimension of the side perpendicular to the face of the enclosure. From the cross-section of the material determine the maximum allowable area for the face of the enclosure (column 4).

⁵ Compliance with the less restrictive of the parameters, thickness or cross-section, is satisfactory for determining the maximum allowable face area of the enclosure.

3.1.4 Castings Cast enclosures shall be in accordance with requirement 21 of MIL-STD-454.

3.1.5 Lifting provisions. Enclosures that will weigh more than 75 pounds when equipment is installed within the enclosure shall have lifting eyes integral with the enclosure, or shall be equipped with eyebolts or other lifting provisions, to facilitate lifting and handling of the equipment. Where provisions such as eyebolts are used, their removal shall not leave openings into the interior of the enclosure.

3.1.6 Projections edges and corners. Projections and overhanging edges which may cause personal injury or catch upon clothing shall be avoided. Edges and corners of external surfaces shall be rounded to a minimum radius of 0.04 inch, and exposed corners to a minimum of 1/2 inch.

3.1.7 Mounting details The mounting requirements in accordance with MIL-E-917 and as specified in 3.1.7.1 through 3.1.7.3 shall apply to all enclosures except those forming a part of portable equipment

MIL-E-2030D(SH)

3 1 7 1 Enclosed assemblies, subassemblies, and parts The enclosure shall provide structural support of assemblies, subassemblies, and parts mounted within the enclosure. Mounting bolts for the enclosed assemblies, subassemblies, and parts shall not penetrate the enclosure. Mounting of assemblies, subassemblies, and parts shall be independent of enclosure mounting.

3.1.7.2 Enclosure mounting The enclosure mounting bolts shall be accessible after the equipment is installed inside. It shall not be necessary to remove assemblies, subassemblies, and parts before removing the enclosure from bulkhead or deck. Enclosure weight shall be transmitted to the ship's structure and not be borne by the walls of the enclosure. Sway bracing shall be provided for any unit which is susceptible to deflections of 1/2 inch or more due to vibration or shock.

3 1 7 3 Spot facing In the case of equipment intended for permanent installation and having mounting feet of cast, uneven or rounded material, the material around the mounting bolt holes shall be spot faced to accommodate washers and mounting bolts.

3.1.8 Access. Enclosures shall provide for convenient access to terminals and all working parts for the purpose of installation, repair, and adjustment.

3.1.8 1 Access to nonrotating equipment. Access to wiring on the back of a panel shall be made possible by providing a means of removal of the panel through access covers or doors on the front of the enclosure. Access for replacement of parts shall be possible from the front of the enclosure without disassembly of the cabinet or the removal of any permanently mounted subassembly or part. For electronic equipment, requirement 36 of MIL-STD-454 shall apply except that access shall be from the front.

3 1 8 1.1 Access doors and covers.

3 1.8 1 1 1 Large enclosures Enclosures of 1-1/2 cubic feet (ft³) and larger shall have hinged doors which may be removable, except for the doors on explosionproof enclosures. Hinges shall be attached such that they will not extend beyond the outer surface of the enclosure whether or not the doors are open. Doors on explosionproof, watertight, or submersible enclosures shall be secured by captive screws requiring the use of tools. Doors on enclosures other than explosionproof, watertight, or submersible shall be secured by captive thumbscrews or other slotted or cross recessed head type fasteners with all parts captive. Captive hardware shall be in accordance with MIL-E-917. Covers larger than 4 square feet (ft²) or weighing more than 35 pounds shall have handles attached for safe and easy installation or removal.

3 1.8 1 1 2 Small enclosures Enclosures smaller than 1-1/2 ft³ may have removable covers without hinges provided that no electrical devices are mounted on the cover. Either captive or noncaptive fastener hardware may be used to secure doors and covers of small enclosures.

MIL-E-2036D(SH)

3.1.8.1.2 Door and cover fastener hardware. Fasteners used to secure a cover or door shall be of the same type and size. Except where thumbscrews are required, head styles of door and cover screws and bolts shall be as follows:

- (a) Screws and bolts 1/4-inch diameter and larger: hexagon-head or slotted hexagon head.
- (b) Screws and bolts smaller than 1/4-inch diameter: slotted head, or cross recessed head, or any style specified in MIL-E-917.

3.1.8.1.3 Gaskets for covers and doors. Gaskets shall be provided for covers and doors of enclosures as required to meet the degree of enclosure. Gaskets may be provided for other enclosures at the option of the manufacturer. Unless otherwise specified in the equipment specification, gaskets shall be in accordance with MIL-R-900. Gaskets shall be secured to prevent dislodging or loosening when the door or cover is removed. Adhesive may be used for securing the gasket to one of the mating parts. An antistick material, such as powdered teflon compound, shall be applied to the unsecured face of gaskets. Silicone grease shall not be used. Antistick compounds shall be nongumming, nonhardening, nonflammable, and insoluble, and shall be thermally and chemically stable under the conditions of use, (see 30.2.2 for limitation for explosionproof enclosures).

3.1.8.1.4 Hinged door or cover ground connections. Where energized parts are to be mounted on a hinged door or cover, the door or cover shall be connected to the enclosure structure by a low resistance, flexible grounding strap. The strap shall have a current carrying capacity at least as great as that of the largest lead to the door mounted device. Reliance on mounting screws or hinges to complete the ground connection shall not be permitted. The ground strap shall be located so that it cannot come in contact with electrical parts.

3.1.9 Access to rotating equipment. Access openings for equipment containing brushes, heaters and airbags shall be of sufficient size and properly located to allow the following functions:

- (a) Inspect and replace brushes
- (b) Adjust, replace, or measure brushholder spring tension, heaters, air bags.
- (c) Stone commutator or collector rings.

Fastener hardware and access cover gaskets shall be as specified (see 3.1.8.1.2 and 3.1.8.1.3).

3.1.10 Cable entrance.

3.1.10.1 Nonrotating equipment Where details of the provisions for cable entrance to the enclosed equipment are not specified in the equipment specification, space shall be provided at suitable locations at the top and bottom of the enclosure for installation of cable clamps, stuffing tubes or connectors. For open, and open protected types, and any other enclosure not requiring stuffing tubes and when cable clamps are necessary to prevent chafing, the following shall apply:

- (a) Metal enclosures shall have provision for installation of cable clamps specified in W-F-406

MIL-E-2036D(SH)

- (b) Plastic enclosures shall have provision for installation of electrically insulated cable clamps, and be grounded in accordance with MIL-STD-1310 or MIL-STD-1680.

3.1.10.2 Rotating equipment. Provision for cable connections shall be as required by the equipment specification. Where provisions are not specified, they shall be in accordance with 3.1 10.1(b).

3 1 11 Protection against burning area. Interior surfaces which are in the wake of arcing contacts or where an arc may cause short circuits between current-carrying parts, or between such parts and the enclosure, shall be protected by sheets of laminated electrical insulating material conforming to MIL-E-917. These sheets shall be secured to the enclosure surfaces by mechanical means rather than by adhesives.

3.1.12 Protection of diagrams and instruction sheets. Where diagrams or instruction sheets are required on or in the equipment by the equipment specification, or are otherwise so furnished, such diagrams or instruction sheets shall be protected as specified in (a) or (b). Printing shall be of a non-fading type. Diagrams and instruction sheets shall be secured to the inside of the enclosure by rivets, screws, clips, mounting plate or brackets. Screws or rivets used to secure instruction sheets shall not penetrate airtight, dusttight, hermetic, explosionproof, splashproof, watertight, or submersible enclosures.

- (a) Method 1 (preferred method): The diagram or instruction sheets shall be laminated between sheets of vinyl chloride plastic conforming to class 1 of L-P-535. The laminating process shall be such that a permanent bond is obtained between the paper and the plastic. Where the reproduction process is such that a bond between the vinyl chloride and paper cannot be readily attained, cellulose acetate plastic conforming to type I of L-P-504 or ethyl cellulose plastic may be used.
- (b) Method 2. The paper on which the diagram or instruction sheet is printed shall be treated so as to have acceptable oil, water, and fungus resistant properties. The diagram or instruction sheet shall be covered with a sheet of vinyl chloride plastic conforming to class 1 of L-P-535.

3.1.13 Explosionproof enclosures. Explosionproof enclosures shall be in accordance with the appendix to this specification, and as specified herein.

3 1.14 Provision for drainage of condensation. The following enclosures shall be provided with an opening for draining accumulated moisture

- (a) Watertight enclosures for nonrotating equipment except watertight enclosures for pushbuttons, limit switches, and similar types of remote master switches.
- (b) Spraytight, totally enclosed, and watertight enclosures for rotating equipment, except that connection boxes of such enclosures need not have provision for drainage.

MIL-E-2036D(SH)

The opening shall be located at the bottom or as near the bottom of the enclosure as practicable, in order that it may drain the enclosure satisfactorily. A 1/4 by 18 National Pipe Thread (NPT) or larger pipe plug made of brass or other non-corrosive material shall be used to close the opening. For HI shock enclosures straight threads shall be used

3.1.14.1 Number and location. Enclosures requiring a condensate drain shall be such that effective gravity drain will be achieved with only one drain hole with the enclosure mounted in its normal orientation in respect to the vertical axis. Enclosures designed for optional mounting in more than one orientation may need to be equipped with more than one drain hole; however, the lowermost hole shall effectively drain the entire enclosure in whatever optional orientation the enclosure is mounted. The lowermost drain plug shall be directly accessible with adequate space for wrenching when the equipment is installed in its operating environment aboard ship; that is, access space shall be provided that will enable a man using only his hands and an 8-inch adjustable end wrench to remove and replace the effective drain plug in whatever optional orientation the equipment is installed.

3.1.15 Prevention of leakage along shafts of spraytight and watertight rotating equipment. Except where integral face-mounted equipment forms a part of the complete assembled equipment enclosure and eliminates shaft exposure, a means shall be provided, as applicable (see 3.1.15.1 or 3.1.15.2), to prevent water leakage along the shaft where it penetrates the enclosure.

3.1.15.1 Spraytight. Either of the following leakage preventive methods shall be used to minimize shaft leakage of rotating equipment:

- (a) A combination of shaft slinger and close clearances between the shaft and housing. The slinger shall be located immediately outside the housing. The external diameter of the slinger shall be not less than 1.5 times the shaft diameter and the axial clearance between the end shield and slinger shall not exceed 0.030 inch. The slinger shall be attached to the shaft using a set screw or screws. A filler compound may be used to prevent leakage of water through the fit between the slinger and shaft. The close clearance between the housing and shaft shall be in accordance with table II. To break up the capillary path of leakage flow through the clearance between the shaft and the housing at least one peripheral (radial in depth) groove shall be cut in the housing. The slinger shall be provided with a guard, except that if the slinger end shield or the coupled equipment design is such as to preclude personal injury, the guard may be omitted. If the slinger is exposed, omission of the guard shall require the approval of the contracting activity. Slinger guards, where used, shall permit the expulsion of water.

MIL-E-2056D(SM)

TABLE II. Shaft clearance for spraytight machines

Shaft diameter (inches)	Radial clearance (maximum)	Axial length of clearance (inch)
Less than 1	7 mils per inch of shaft diameter	3/8
1 to 4		1/2
Over 4	As approved by contracting activity	

(b) A rubbing seal between the shaft and housing. If a rubbing seal is used, the closure shall be watertight.

3.1.15.2 Watertight. A rubbing seal between the shaft and housing shall be used except where integral face mounted equipment forms a complete watertight assembly.

3.1.15.3 Totally enclosed. When specified in the contract or order, or the individual equipment specification (see 6.4), the enclosure shall be such that it can be converted to watertight (see 3.1.15.2) by the addition of gaskets

3.1.16 Totally enclosed, water-air-cooled motors and generators Totally enclosed, water-air-cooled motors and generators shall be provided with an air cooler of double tube construction to insure against water leakage into the windings of the machine.

3.1.16.1 Air coolers. Unless otherwise specified (see 6.2.1), air coolers shall conform to class 1, 2, or 3 of MIL-C-19836 as required by the individual equipment specification or as specified (see 6.4).

3.1.16.2 Drain temperatures. The cooler shall maintain the machine temperatures within the specified limits under the maximum load conditions except overloads having a specified duration of 5 minutes or less when the cooler is supplied with sea water at an initial temperature of approximately 85 degrees Fahrenheit ($^{\circ}\text{F}$) (29.4 degrees Celsius ($^{\circ}\text{C}$)).

3.1.16.3 Air temperature alarm. An air temperature alarm thermostatic switch conforming to type 1C/N31A of MIL-S-16032 shall be provided and located so as to operate at a predetermined temperature of the air exhausting from the electric machine into the cooler.

3.1.16.4 Air filter Machines having commutators shall have an air filter for removing carbon dust from recirculating air through the machine and heat exchanger.

3.1.17 Protected enclosure. Sheet expanded metal, where used to limit the size of enclosure openings, shall have a nominal width of opening not in excess of 1/2 inch and a nominal thickness, exclusive of coating, of not less than 3/64 inch.

MIL-E-2036D(SH)

3.1.18 Interface requirements for enclosures While complying with requirements as specified herein, an enclosure obtained as an integral portion of an equipment or system, and in its service environment, shall effectively perform its intended functions and interface both with the equipment it encloses and the system in which the equipment is used. When furnished separately from the equipment or system in which it is applied, all applicable interfaces and environmental requirements shall be as specified (see 6.2.1 and 6.3).

3.1.18.1 Seals and special screws. When it is possible to energize equipment in a disassembled or partially assembled condition, seals or screws used shall require a special tool for removal. The special tool shall be furnished with the enclosure. (Special tools are defined as those tools not listed in the Federal Supply Catalog. Copies of this catalog may be consulted in the office of the Defense Contract Administration Services Management Area (DCASMA))

3.1.18.2 Interlock. The requirements of 3.1.18.1 do not apply when an interlocking device is used to open live circuits before access is gained.

3.1.19 Additional design details for enclosures of specific equipments shall be as required by the equipment specification. Requirements of the equipment specification may affect enclosure design (for example, electromagnetic interference limitations, high impact shock, vibration, salt spray and nature and design features of the equipment contained within the enclosure) (see 6.3).

3.2 Materials. Enclosures shall be constructed of either a corrosion-resisting material or a noncorrosion-resisting material that has been protected against corrosion in accordance with MIL-E-917.

3.2.1 Prohibited materials. Unless otherwise specified (see appendix), asbestos, cadmium and mercury (see 3.2.1.1) shall not be used in construction of enclosures covered by this specification

3.2.1.1 Mercury. Mercury shall not be used in manufacturing and test processes (including test equipment such as mercury thermometers) applying to the basic enclosure but may be used in manufacturing and test processes for materials and parts provided it is used in such a way that contamination of the materials and parts themselves cannot result.

3.2.2 Recovered materials Unless otherwise specified herein, all equipment, material, and articles incorporated in the products covered by this specification shall be new and may be fabricated using materials produced from recovered materials to the maximum extent practicable without jeopardizing the intended use. The term "recovered materials" means materials which have been collected or recovered from solid waste and reprocessed to become a source of raw materials, as opposed to virgin raw materials. None of the above shall be interpreted to mean that the use of used or rebuilt products is allowed under this specification unless otherwise specifically specified

MIL-E-2036D(SH)

3.3 Marking.

3.3.1 Plates for identification and information. Plates for identification and for information (including plates for warning and caution) shall be in accordance with MIL-P-15024 and MIL-P-15024/5 and the requirements herein.

3.3.2 Type of service. The requirements of MIL-P-15024/5 for plates for normal service shall apply, except that for plates to be used in locations exposed to the weather, the requirements of MIL-P-15024/5 for severe service shall apply.

3.3.3 Mounting of plates. Plates shall be mounted by means of screws in tapped holes, screws held by captive nuts, screws held by nuts on the opposite side of the panel (unless otherwise prohibited) or by self tapping screws. Aluminum screws shall not be used.

3.3.4 Color style of plastic plates. The color style of plastic plates shall be style II of MIL-P-15024 except as otherwise specified herein or in the individual equipment specification (see 3.3.5.2 and 6.4)

3.3.5 Types of plates.

3.3.5.1 Identification plates Identification plates shall be in accordance with types A, B, C, or H (metallic only) of MIL-P-15024.

3.3.5.1.1 Identification markings Identification plates shall be marked with the following as a minimum.

- (a) Manufacturer's name or trademark
- (b) Name of unit, model, and serial or military part number.
- (c) Rating of unit.
- (d) Prime contract number (as specified in contract or order).
- (e) Degree of enclosure (type, see 1.2).

3.3.5.2 Information plates. Except for illuminated plates for darken-ship operation (see 3.3.5.5), plates for stating the functions of manual control devices and visual indicators, and to show writing and schematic diagrams, operating instructions, lists of tools, warning, caution, and the like, shall be in accordance with types A, B, C, F, or H of MIL-P-15024. Where the need to change the information from time to time exists, the plates may be held in slide-out frames. Type F plates shall be laminated, using transparent polyester sheets conforming to type G of MIL-I-631, treated, bonded, and sealed to each side of the printed sheet. Edge sealing alone is not acceptable. The thickness of the polyester sheet shall be at least 0.04 millimeter (mm). The overall thickness of the plate shall be at least 0.25 mm.

3.3.5.3 Warning and caution Where the non-observance of instructions on plates would result in personal injury or material damage, the words "WARNING" or "CAUTION" shall immediately precede the instructions, and be marked in double-size red letters in accordance with the following:

- (a) "WARNING" Where non-observance would result in personal injury or loss of life, whether or not damage to the equipment would occur

MIL-E-2036D(SH)

- (b) "CAUTION". Where non-observance would result in damage or destruction of the equipment or inadvertently shut down the propulsion of plant

3.3.5.4 High voltage. Enclosures containing potentials in excess of 500 volts alternating current (Vac) root mean square (rms) or 500 volts direct current (Vdc) shall be identified by plates in accordance with requirement 1 of MIL-STD-454.

3.3.5.5 Illuminated plates. Illuminated plates, when required for darken-ship operation, shall be type IV or V of MIL-P-7788 (see 6.3). Dual lampholders shall be used for visual indicators

3.4 Drawings. When specified in the contract or order, drawings shall be prepared (see 6.2.2 and 6.3).

3.5 Workmanship. The workmanship shall be in accordance with requirement 9 of MIL-STD-454.

4 QUALITY ASSURANCE PROVISIONS

4.1 Responsibility for inspection. Unless otherwise specified in the contract or purchase order, the contractor is responsible for the performance of all inspection requirements as specified herein. Except as otherwise specified in the contract or purchase order, the contractor may use his own or any other facilities suitable for the performance of the inspection requirements specified herein, unless disapproved by the Government. The Government reserves the right to perform any of the inspections set forth in the specification where such inspections are deemed necessary to assure supplies and services conform to prescribed requirements.

4.1.1 Responsibility for compliance. All items must meet all requirements of sections 3 and 5. The inspection set forth in this specification shall become a part of the contractor's overall inspection system or quality program. The absence of any inspection requirements in the specification shall not relieve the contractor of the responsibility of assuring that all products or supplies submitted to the Government for acceptance comply with all requirements of the contract. Sampling in quality conformance does not authorize submission of known defective material, either indicated or actual, nor does it commit the Government to acceptance of defective material.

4.2 Examination, tests, and sampling. Examination and tests shall be as specified herein and in the individual equipment specification. Sampling for examination and tests shall be as specified in the individual equipment specification (see 6.3). When enclosures are furnished as part of the electrical or electronic equipment, enclosure tests shall be as specified in the equipment specification and conducted as part of the tests required on the equipment. When furnished separately from the equipment or system in which they are applied (see 6.3), enclosures shall be subjected to the examination and tests of 4.2.1 through 4.2.3.

MIL-E-2036D(SH)

4.2.1 Visual examination Each enclosure shall be visually examined for the following:

- (a) Workmanship, assembly, and fit
- (b) Parts, materials, and finishes.
- (c) Treatment for prevention of corrosion
- (d) Markings correct for their application and correctly placed

4.2.2 Effectiveness of enclosure (protection against environmental conditions) Test procedures to determine the effectiveness of enclosures shall be in accordance with MIL-STD-108

4.2.3 Explosionproofness The quality assurance provisions for explosion-proof enclosures shall be as specified in the appendix to this specification.

4.3 Inspection of packaging Sample packages and packs, and the inspection of the packaging, packing and marking for shipment and storage shall be in accordance with the requirements of section 5 and the documents specified therein.

5. PACKAGING

(The packaging requirements specified herein apply only for direct Government acquisition. For the extent of applicability of the packaging requirements of referenced documents listed in section 2, see 6.5.)

5.1 Packaging requirements shall be as specified in the individual equipment specification (see 6.3)

6. NOTES

6.1 Intended use. It is intended that this specification be invoked in individual equipment specifications for enclosures for electrical and electronic enclosures. This specification covers the basic requirements applicable to enclosures intended for Naval shipboard use. Minimum degrees of enclosure that are intended to protect contents of the enclosures in typical environments are listed in table III. A lesser degree of enclosure may be satisfactory for a particular application if the equipment itself is inherently protected (such as by encapsulation) or does not require complete exclusion of a potentially harmful element in order to perform satisfactorily, however, such determination shall be made, or approved, by the contracting activity responsible for establishing technical requirements. Explosionproof enclosures are required for electric and electronic equipment in hazardous locations (explosive gases or vapors present) regardless of other environmental conditions. Additional protection of explosionproof enclosures, if required, should be obtained by the use of shields or baffles. An exception to the requirement for explosionproof enclosures in hazardous location is the case of "intrinsically safe" installations. An intrinsically safe installation (one in which the energy level is limited to values that preclude ignition of explosive atmospheres) requires the approval of the contracting activity.

MIL-E-2036D(SH)

TABLE III Enclosures intended use

Environment	Degree of enclosure (nomenclature)		Notes
	Nonrotating equipment	Rotating equipment	
Harmless to equipment	Open	Open	
	Open, protected	Open, protected	1
	Dripproof (15 degrees)	Dripproof (15 degrees)	
	Dripproof (15 degrees), protected	Dripproof (15 degrees), protected	1,2
	Dripproof (45 degrees)	Dripproof (45 degrees)	
	Dripproof (45 degrees), protected	Dripproof (45 degrees), protected	1,2
Dirty: dust and moderate amounts of steam and vapors	Totally enclosed	Totally enclosed Totally enclosed (fan-cooled) Totally enclosed (water-air-cooled)	1,3,4
Weather exposure (above main deck)	Watertight 1	Spraytight 1 Spraytight (fan-cooled 1)	1 where indicated 4
Spray, occasional splashing or hosing Sprinkler system protected areas with drains	Watertight 1 Splashproof Splashproof, protected 1		
Transient submergence or severe splashing	Watertight	Watertight	1,5
Submergence	Submersible (feet)	Submersible (feet)	1,6
	Open submersible (feet)	Open submersible (feet)	6
Potentially explosive atmosphere (group D)	Explosionproof Explosionproof	Explosionproof Explosionproof (fan-cooled)	1,4
Special conditions not normally found in shipboard environment	Airtight Dust-ignition proof Dustproof Dusttight Hermetic	Dust-ignition proof Dustproof Dusttight	1

See notes at top of next page

MIL-E-2036D(SH)

NOTES

1. Enclosure provides protection of personnel against physical contact with electrically energized or moving parts.
2. Normally used for equipment located in machinery spaces aboard ship, except where more severe conditions prevail.
3. Common enclosure for pump motor applications aboard ship, except where submergence or explosionproofness is required. Motor specifications require a shaft slinger for pump applications.
4. Fan-cooled rotating equipment not suitable in weather exposed locations because icing conditions could cause failure or malfunction.
5. Suitable for equipment on ship's decks which may be awash in heavy seas.
6. Select submergence depth (15, 50 or 1600 foot) as applicable.

6.2 Ordering data.

6.2.1 Acquisition requirements Acquisition documents should specify the following.

- (a) Title, number, and date of this specification
- (b) Class and type of enclosure (see 1.2).
- (c) Class of air cooler required if other than as specified (see 3.1.16.1).
- (d) Applicable interface and environmental requirements for enclosures furnished separately from equipment or system (see 3.1.18)
- (e) Whether application for explosionproof design evaluation should be submitted to the DCASMA, the contracting activity, or NAVSEA (see 40.1.1).
- (f) Level of packing required.

6.2.2 Data requirements When this specification is used in an acquisition and data are required to be delivered, the data requirements identified below shall be developed as specified by an approved Data Item Description (DD Form 1664) and delivered in accordance with the approved Contract Data Requirements List (CDRL), incorporated into the contract. When the provisions of DoD FAR Supplement, Part 27, Sub-Part 27.475-1 (DD Form 1423) are invoked and the DD Form 1423 is not used, the data specified below shall be delivered by the contractor in accordance with the contract or purchase order requirements. Deliverable data required by this specification are cited in the following paragraph.

<u>Paragraph no.</u>	<u>Data requirement title</u>	<u>Applicable DID no.</u>	<u>Option</u>
3.4	Drawings, engineering and associated lists	DI-E-7031	Level 3

MIL-E-2036D(SH)

(Data item descriptions related to this specification, and identified in section 6 will be approved and listed as such in DoD 5010.12-L., AMSDL. Copies of data item descriptions required by the contractors in connection with specific acquisition functions should be obtained from the Naval Publications and Forms Center or as directed by the contracting officer.)

6.2 2 1 The data requirements of 6.2.2 and any task in sections 3, 4, or 5 of this specification required to be performed to meet a data requirement may be waived by the contracting/acquisition activity upon certification by the offeror that identical data were submitted by the offeror and accepted by the Government under a previous contract for identical item acquired to this specification. This does not apply to specific data which may be required for each contract regardless of whether an identical item has been supplied previously (for example, test reports)

6.3 Subjects to be covered in equipment specifications. Attention is directed to the following subjects which should be covered in the individual equipment specification or in the contract or order:

- (a) Detail characteristics and performance requirements for the equipment.
- (b) Whether enclosure is for rotating or nonrotating equipment.
- (c) Painting of equipment exterior, if gray appearance is required (see 3.1.1).
- (d) Eddy current magnetism for equipment installed on nonmagnetic minesweepers (see 3.1.3).
- (e) Require an interlock that will cause the interruption of the electrical circuit in an explosionproof enclosure when the cover or door is removed. The interlock (or other circuitry) will prevent automatic reenergizing of the enclosure circuit when the explosionproof integrity of the enclosure is reestablished.
- (f) Interface requirements (see 3 1.18).
- (g) Salt spray (see 3.1.19).
- (h) High impact shock and vibration requirements (see 3 1.19 and MIL-S-901 and MIL-STD-167-1).
- (i) Electromagnetic interference requirements of MIL-STD-461 if applicable (see 3 1 19).
- (j) Type and color of identification and information plate required (see 3.3)
- (k) When dark adaptation is required, the individual equipment specification or purchase document shall so specify (see 3.3 5.5).
- (l) Drawings (see 3 4).
- (m) Quality assurance provisions (see section 4).
- (n) Quality inspection system (see 4 2) that shall apply, if other than the contractor's standard inspection system
- (o) Examination, tests, and sampling (see 4 2 1)
- (p) Packaging (see section 5)
- (q) Ordering data to be specified on Form DD 1423.

MIL-E-2036D(SH)

- (r) Guidance should be included in the individual equipment specification which will assist the contracting activity in the preparation of CDRL (DD Form 1423) and the citing of appropriate DID's (DD Form 1664) as applicable to the particular equipment and type of purchase.

6.4 Requirements applicable unless otherwise specified Attention is directed to the following requirements which will apply unless specific exception is taken or other requirement is specified in enclosures specifications. Requirements in this category were written for most of the equipment covered by this specification recognizing that for certain equipment or under specific circumstances, changes may be advisable or necessary. Particular consideration should be given to the following subjects when preparing equipment specifications

- (a) Whether totally enclosed enclosure is to be convertible to watertight (see 3.1.15.3).
 (b) If air coolers are other than as specified in MIL-C-19836 (see 3.1 16.1).
 (c) If the color style of plastic plates is other than style II of MIL-P-15024 (see 3.3 4)
 (d) Where the explosionproof design evaluation data is to be submitted (see 40.1.1).

6.5 Sub-contracted material and parts. The packaging requirements of referenced documents listed in section 2 do not apply when material and parts are acquired by the contractor for incorporation into the equipment and lose their separate identity when the equipment is shipped.

6.6 International interest. Certain provisions of this specification are the subject of international standardization agreement ABCA-NAVY-STD-21A. When amendment, revision, or cancellation of this specification is proposed which will modify the international agreement concerned, the preparing activity will take appropriate action through international standardization channels including departmental standardization offices to change the agreement or make other appropriate accommodations.

6.7 Subject term (key word) listing.

Airtight
 Dripproof
 Dustproof
 Dusttight
 Explosionproof
 Splashproof
 Spraytight

6.8 Changes from previous issue Asterisks are not used in this revision to identify changes with respect to the previous issue due to the extensiveness of the changes.

Preparing activity
 Navy - SH
 (Project 5935-N625)

MIL-L-2036D(SH)

APPENDIX

EXPLOSIONPROOF ENCLOSURES

10 SCOPE

10.1 Scope. This appendix covers the construction, testing and design approval procedures for explosionproof enclosures for electrical and electronic equipment intended for use in explosive atmospheres normally found on board Naval ships, most of which are listed in group D of the National Electric Code, and among others include: gasoline, hexane, naphtha, benzine, butane, alcohol, benzol, lacquer solvent vapors, or natural gas. This appendix is a mandatory part of this specification. The information contained herein is intended for compliance.

20 APPLICABLE DOCUMENTS

20.1 Government documents.

20.1.1 Specification and standards. The following specification and standards form a part of this specification to the extent specified herein. Unless otherwise specified, the issues of these documents shall be those listed in the issue of the Department of Defense Index of Specifications and Standards (DoDISS) and the supplement thereto, cited in the solicitation.

SPECIFICATION

MILITARY

MIL-P-16685 - Packing, Material and Packing Preformed
(Stuffing Tube for Electric Cables).

STANDARDS

FEDERAL

FED-STD-H28/2 - Screw-Thread Standards for Federal Services,
Section 2, Unified Inch Screw Threads - UN
and UNR Thread Forms.

MILITARY

MIL-STD-810 - Environmental Test Methods and Engineering
Guidelines.

(Copies of specifications and standards required by contractors in connection with specific acquisition functions should be obtained from the contracting activity or as directed by the contracting activity)

20.2 Other publications. The following documents form a part of this specification to the extent specified herein. Unless otherwise specified, the issues of the documents which are DoD adopted shall be those listed in the issue of the DoDISS specified in the solicitation. Unless otherwise specified, the issues of documents not listed in the DoDISS shall be the issue of the nongovernment documents which is current on the date of the solicitation.

MIL-E-2030D(SH)
APPENDIX

NATIONAL FIRE PROTECTION ASSOCIATION (NFPA)

NATIONAL ELECTRIC CODE (NEC) - NFPA-70

(Application for copies should be addressed to the National Fire Protection Association, Batterymarch Park, Quincy, MA 02269, Attn: Publications Sales Division).

NATIONAL ELECTRIC MANUFACTURES ASSOCIATION (NEMA)

NEMA Standard 250 - Enclosures for Electrical Equipment (1000 Volts Maximum)

(Application for copies should be addressed to the National Electric Manufacturers Association, 2101 L Street, NW, Washington, DC 20037)

(Nongovernment standards and other publications are normally available from the organizations which prepare or which distribute the documents. These documents also may be available in or through libraries or other informational services.)

20.3 Order of precedence In the event of a conflict between the text of this specification and the references cited herein, the text of this specification shall take precedence. Nothing in this specification, however, shall supersede applicable laws and regulations unless a specific exemption has been obtained.

30. REQUIREMENTS

30.1 Explosionproof design approval Explosionproof equipment enclosures furnished under this specification shall be of a design that has been approved in accordance with 40.1. No changes or deviations from the approved design shall be acceptable on production units without specific approval of the contracting activity

30.2 Construction Enclosures shall be of the totally enclosed type in which no provision is made for ventilation of the interior or relief of pressure from internal explosions

30.2.1 Design strength of enclosure The enclosure shall be of substantial construction. The recommended minimum thickness of metal for enclosure walls is 1/4 inch for enclosures with an internal free volume of 125 cubic inches (in³) or larger, and 3/16 inch for smaller enclosures. Wall thicknesses less than the recommended minimum may be used provided the enclosure is capable of withstanding without rupture or permanent distortion an internal hydrostatic test pressure of four times the maximum internal explosion pressure recorded for the enclosure during explosion tests or five times the maximum internal explosion pressure based upon calculations. For equipment having a wall thickness less than the recommended minimum, information concerning enclosure design strength shall be furnished (see 40.1.1 and 40.1.2)

MIL-E-2030D(SH)
APPENDIX

30.2.2 Joints in enclosure. Joints shall be of the metal-to-metal plane, cylindrical, stepped, labyrinth, or threaded type (see figures 1 through 7). Metal joint surfaces shall be finished to 250 microinches (maximum) Gaskets, O-rings, or other sealing devices may be used if they are of incombustible material, do not interfere with the metal-to-metal fit, and are not included as part of the required joint dimension Paint, dope, and fillers shall not be used on joints.

30.2.2.1 Plane and cylindrical joints Requirements for dimensions of plane and cylindrical joints are shown on figure 1, which also illustrates typical joint construction

30.2.2.2 Stepped joints (rabbet joints). Requirements for dimensions of stepped joints are shown on figure 2, which also illustrates typical joint construction.

30.2.2.3 Threaded joints. Threaded joints shall have a minimum of five full threads of engagement or a minimum axial joint width (length of thread engagement measured straight across threads) of 1/2 inch, whichever is greater All screw threads shall be class 2 fit in accordance with FED-STD-H28/2. Threaded parts shall be secured against loosening with a supplementary screw or by safety wiring that does not penetrate the joint. A typical threaded joint is illustrated on figure 3.

30 2.2 4 Drive shaft joints. Requirements for dimensions of drive shaft joints are shown on figure 4 which also illustrates typical joint construction

30 2.2.5 Operating shaft (rod) joints Operating shafts or push rods passing through the walls of explosionproof enclosures shall be circular in cross-section over that portion which traverses the wall; the hole in the wall shall also be circular The operating shaft or rod shall have a substantial shoulder, head, or equivalent at the inside to prevent its accidental loss or removal from the outside, or expulsion during explosion Snap rings, cotter pins, or similar type fasteners are not acceptable as a means of preventing such loss, removal, or expulsion Requirements for dimensions of operating shaft (rod) joints are shown on figure 5, which also illustrates typical joint construction. The minimum length specified for the sliding fit shall be maintained in all positions of the shaft (rod)

30 2 3 Holes for bolts, screws, and rivets. Through holes in explosion-proof enclosures shall be kept to a minimum. Holes for bolts, screws, and so forth, shall be "blind" or bottomed if the omission of a bolt or screw would leave an unprotected opening in the enclosure. Location of holes for fasteners shall be in accordance with 30 3.4 There shall be a free space between the end of the bolt and the bottom of the hole when the bolt is fully screwed home, even if all washers are omitted

30 2 3 1 Screw plugs For convenience in manufacture, holes may be drilled through enclosure walls, the thickness of which is 3/16 inch or greater, provided these holes are blinded by the insertion of a screw plug of length not less than 1/4 inch or the diameter of the hole, whichever is greater Such plugs shall be securely welded or riveted This procedure shall not be permitted where the thickness of the enclosure wall is less than 3/16 inch (see figure 6)

MIL-E-2030D(SH)
APPENDIX

30.2.3.2 Bolt holes. Holes may be made through walls for bolts that are necessary to hold essential parts, such as field poles, the omission of which would make the equipment inoperative, provided the following conditions are met

- (a) Bolts shall have a close fit through the wall in accordance with figures 6 and 7.
- (b) At least two bolts shall be used for each part held
- (c) Each hole shall be bottomed in the part held and adequate metal contact provided between the part and the wall to insure an effective internal seat around the hole if the bolt is omitted (see figures 6 and 7).

30.2.3.3 Screw holes Holes shall not be drilled through enclosure walls for screws holding identification, information, or warning plates

30.2.4 Inspection and service access openings Openings shall be limited to the minimum number required for proper assembly, inspection, and servicing of equipment. All inspection and access covers and doors shall have metal-to-metal plane, stepped, or threaded joints. Glass covered inspection openings shall not be permitted.

30.2.5 Auxiliary openings No breathers, drains or pressure-relief devices to relieve pressure due to gas explosion within the enclosure shall be permitted for explosionproof enclosures.

30.2.6 Welding. Tack welding may be used to secure threaded plugs or press fitted parts. Other welding shall be continuous and free from pin holes

30.3 Fastening devices Fastening devices (bolts, screws, nuts, studs, and washers) shall be in accordance with MIL-E-917. Bolts and screw heads shall be of the following styles. hexagon-head, socket-head, 12-point collar. Bolts, screws, and nuts used at different locations shall, if practical, be of identical design. Threaded fasteners shall be secured by lockwashers

30.3.1 Thread engagement. The length of the thread engagement shall be not less than the major diameter (nominal) of the thread of that diameter needed to meet the explosion and hydrostatic tests conducted on the enclosure, whichever is greater.

30.3.2 Diameter of fasteners Diameter of fasteners shall be in accordance with table I.

TABLE I Fastener diameter

Size of enclosure internal free volume (in ³)	Minimum fastener diameter (inches)	
	To secure parts subject to stress due to internal explosion	To secure nonstressed parts (bearing inner caps and similar parts)
60 or smaller	1/4	3/16
Unrestricted	5/16	1/4

MIL-E-2036D(SH)
APPENDIX

30.3.3 Number of fasteners. A minimum of four fasteners shall be used for each joint.

30.3.4 Location of fasteners. Fasteners in the required width of the joint shall be so located as to conform to the requirements of (a) through (e). Figures 6 and 7 illustrate typical fastener locations.

- (a) The distance between fasteners for plane joints shall not exceed 6 inches, measured along the shortest path within the joint gap. Greater spacings may be used for stepped joints upon approval of the contracting activity.
- (b) The shortest distance from the inside of the enclosure to the edge of the fastener clearance hole shall be as shown on figures 6 and 7.
- (c) If the bolt hole is to be considered part of the flame path (joint) the diametrical clearance between the fastener and fastener clearance hole shall be as shown on figure 7
- (d) A minimum thickness of metal between bottom of tapped hole in joint width and inside of enclosure shall be 0.125 inch or 1/3 of the hole diameter, whichever is greater (see figures 6 and 7) Tapped holes for studs may be drilled through to the inside of the enclosure if studs engage a minimum of five full threads of the enclosure and are secured in place by peening, staking, tack welding, or equivalent means.
- (e) Interpoles fastened to the motor frame by bolts (or studs) may have a distance from edge of pole piece to the bolt hole in the motor as shown on figure 7.

30.4 Press-fitted parts. A metal pin or part press-fitted through the enclosure shall engage for a distance of at least 3/8 inch and be adequately secured against removal by riveting, peening, tack welding, or equivalent.

30.5 External fans. External fans on explosionproof fan-cooled motors shall be of nonsparking material such as brass, or aluminum, or plastic (when specifically approved by the contracting activity) and shall be securely mounted. Substantial fan guards or shields shall be provided.

30.6 Provision for connection to electrical power source.

30.6.1 Rotating equipment.

30.6.1.1 Permanently mounted (nonportable) equipment. A terminal box shall be provided. The terminal box, cover, and attachment to equipment enclosure shall be of explosionproof construction in accordance with this appendix, except that plane joints 3/4 inch in width with a joint clearance of 0.002 inch may be used for the cover of terminal boxes with an internal free volume of 45 in³ or less.

MIL-E-2036D(SH)
APPENDIX

30 6 1 1 1 Passage between motor (or similar machine) and terminal box
Leads or conductors shall be securely held where they pass into the motor. The passage between the motor and terminal box shall be filled by one of the means listed below. Typical construction is shown on figure 8.

- (a) If a tube or blocked passage is provided. The length of the blocked passage and the clearance around the leads shall be satisfactory to the contracting activity. There shall be no sharp edges where the leads pass through the clearance openings. Detail drawings shall show the minimum permissible length of tube with the maximum permissible clearance around leads.
- (b) Sealing compound. The design of the opening and characteristics of the sealing compound shall be such as to hold the sealing compound securely in place. The compound shall be compatible with the leads passing through it and shall not soften or crack under normal service conditions. The sealing compound shall have a minimum depth of 5/8 inch with increase as a function of the internal length of joint in inches. When reinforced by metal the seal depth may be reduced by 1/4 inch provided that a 5/8 inch minimum depth remains. The sealing compound shall not loosen or crack during explosion tests.

30 6.1.2 Portable equipment. Electrical power cable (or cord) assemblies and electrical assemblies for electronic equipment shall be as required by the equipment specification except that the portable cable shall be of a type that has passed the Bureau of Mines flame-resistance test. The cable shall enter the equipment through a properly packed Navy standard terminal tube. Packing (conforming to MIL-P-16685 or equivalent) shall be used and the length of packing along the cable when compressed by the gland nut shall be at least 5/8 inch. The terminal tube shall be long enough to provide for this feature. Clearance shall exist between the gland nut flange and the tube when the packing is fully compressed. The radial clearance between the cable and the tube shall be not greater than 1/32 inch.

30 6 2 Nonrotating equipment. Provisions for cable entrance shall be in accordance with the equipment specification. If cable entrance requirements are not specified, space shall be provided at suitable locations on the top and bottom of the enclosure for installation of Navy standard terminal tubes.

30 7 Bearing housing construction of rotating equipment The following are applicable to bearing housing of rotating equipment.

- (a) Ball or roller bearings are not considered as forming any part of the flame path
- (b) Grease drains shall be outside the bearings
- (c) A removable outer bearing cap is not considered part of the required length of fit unless the cap is essential to hold the bearing in place

MIL-E-2036D(SH)
APPENDIX

30.8 Identification plates In addition to the information required for identification of the equipment, identification plates shall state "Explosion-proof, Group D. For use in gasoline vapors and similar atmospheres CAUTION During repair, do not deform, damage, or paint mating surfaces of enclosure parts. All enclosure parts should fit tightly using all fasteners provided."

30.9 Warning plates for electrical control equipment. Explosionproof control equipment shall be provided with a readily legible, nontarnishing warning plate, reading as follows:

"WARNING. EXPLOSIVE VAPORS PRESENT. DISCONNECT SUPPLY CIRCUIT BEFORE OPENING COVER, DO NOT ENERGIZE UNLESS THE EQUIPMENT IS FULLY ASSEMBLED AND ALL OPENINGS IN THE ENCLOSURE ARE PROPERLY CLOSED."

30.10 Drawing information. Equipment drawings covering explosionproof enclosures, in addition to the equipment specification requirements (see 6.2.2), shall include the following.

- (a) Identification of equipment as "explosionproof"
- (b) Cross-sectional view of all explosionproof joints. Methods of assembly around explosionproof joints shall also be illustrated.
- (c) Finish dimensional details with tolerances and clearance of each metal-to-metal joint.
- (d) Detail of identification plate.
- (e) The internal free volume of the enclosure
- (f) The total internal volume of the enclosure when empty
- (g) Record of the Bureau of Mines investigation, including:
 - (1) Report number and date.
 - (2) Navy approval activity, file number, and date of approval letter.
- (h) Weight.
- (i) Drawings used for manufacturing purposes shall carry the notation "DO NOT DRILL THROUGH" where applicable to bolt holes
- (j) Class and type.

40 QUALITY ASSURANCE PROVISIONS

40.1 Explosionproof design approval procedures Each design of explosionproof equipment offered under this specification requires approval by the procedures described herein. Explosionproof design approval shall be obtained prior to the delivery of equipment of any new or modified design. Once the design is approved as being explosionproof, identical equipment may be supplied on subsequent contracts or orders without further explosionproof design approval.

40.1.1 Procedures for design approval based on Bureau of Mines evaluation or test Explosionproof equipment for Naval ship applications shall be evaluated by the Bureau of Mines, as follows, except in cases where approval based on other testing (see 40.1.2) is sought.

MIL-E-2036D(SH)
APPENDIX

- (a) Application for explosionproof design evaluation shall be submitted by the equipment manufacturer to the manufacturer's local DCASMA, the contracting activity, or NAVSEA, Washington, DC 20362-5101, as specified (see MIL-E-2036). The application shall include the Government contract number, the name of the prime contractor, the prime contractor's purchase order number, identification of equipment being supplied by the prime contractor, and numbers of the Government specification for the explosionproof equipment to be evaluated. The following shall be submitted with the application
- (1) One print of the equipment drawing, including a bill of materials
 - (2) One print of detail drawings of all parts. Manufacturing tolerances shall be indicated on the drawings.
 - (3) If any wall thickness is less than the recommended minimum (see 30 2 1), the explosion pressure that enclosure is designed to withstand, safety factors applied, and method of determining enclosure strength (including design strength calculations or hydrostatic test results) shall be specified.
 - (4) Statement that no further design changes are planned (except as may be required for explosionproof design approval) and that all other tests (including shock and vibration tests) have been completed successfully
 - (5) Other supporting data as may be required by the Bureau of Mines shall be supplied by the applicant.
 - (6) Serial numbers by which sample equipments are identified. If the applicant considers the enclosure design to be so similar to a previously tested and approved design that actual testing may not be necessary, he may request design approval based on drawing review, without actual test. Where this extension of previous design approval is requested, the Bureau of Mines test report number covering the approved design shall be provided.
- (b) Upon receipt of the application, the local DCASMA, the contracting activity, or NAVSEA, after verifying that the equipment is intended for Naval shipboard use and is required to be explosionproof in accordance with MIL-E-2036, will endorse the application to the Bureau of Mines stating that tests are authorized. The applicant will be notified of the action taken and advised to contact the Bureau of Mine Safety and Health Administration, Industrial Park Boulevard, RR 1, Box 251, Triadelphia, WV 26059 when the equipment is available for submission
- (c) Upon receipt of the application with test authorization, and after being contacted by the applicant, the Bureau of Mines will furnish the applicant with information on preparation of the equipment for tests and shipping instructions. Equipment for testing shall be supplied by the applicant. The Government will not be responsible for any expense resulting from

MIL-E-2036D(SH)
APPENDIX

- (1) Shipment of equipment to or from the Bureau of Mines
 - (2) Damage during testing.
 - (3) Damage or loss of equipment while at the Bureau of Mines
 - (4) Delays in scheduling or conducting tests
- (d) A test report covering the design evaluation or test will be prepared by the Bureau of Mines and forwarded to NAVSEA. The report shall indicate
- (1) Points of nonconformance with this specification.
 - (2) Explosion safety hazards noted during inspection
 - (3) Discrepancies between equipment and drawings where such discrepancies affect explosion safety.
 - (4) Difference between equipments for which approval action is based upon similarity.
- (e) NAVSEA will approve or disapprove the design as being explosionproof in a letter to the applicant through the Navy contracting activity. Where approval is contingent upon correction of certain deficiencies, the equipment manufacturer shall be responsible for correction of the deficiencies in all equipment supplied.

40 1 2 Procedures for design approval based on testing other than by the Bureau of Mines If explosionproof design approval based on testing by other than Bureau of Mines is sought, the following procedures shall apply:

- (a) Application for explosionproof design approval shall be submitted by the equipment manufacturer to the Navy contracting activity for forwarding for approval to the command or activity responsible for establishing technical requirements (NAVSEA, Washington, DC 20362-5101 shall be the approval activity for Naval shipboard electrical equipment.) The following information shall be furnished with the application:
- (1) Name of Government contracting activity and contract number.
 - (2) Name of prime contractor, prime contractor's purchase order number, and identification of equipment being supplied by prime contractor.
 - (3) Two prints of all drawings for the explosionproof equipment
 - (4) Statement by applicant that the equipment is constructed in accordance with MIL-E-2036.
 - (5) If any wall thickness is less than the recommended minimum (see 30.2.1), the explosion pressure that enclosure is designed to withstand, safety factors applied, and method of determining enclosure strength (including design strength calculations or hydrostatic test results) shall be specified
 - (6) Explosionproof testing activity
 - (7) Explosionproof test method (reference to a recognized explosionproof test method, that is method 511, procedure II, of MIL-STD-810, or applicable design tests for enclosures specified in NEMA 250)
 - (8) Two copies of explosionproof test report

MIL-E-2036D(SH)
APPENDIX

- (b) One copy of explosionproof test report shall be submitted to the Bureau of Mines for information, with a cover letter including the information specified in 40 1 2(a)(1) through (7). Other supporting data as may be required by the Navy approval activity shall also be furnished. The applicant shall be responsible for all arrangements for testing and all testing expenses.
- (c) The Navy approval activity will approve or disapprove the design as explosionproof in a letter to the applicant via the Navy contracting activity.

40.2 Explosionproof tests. Tests for explosionproofness shall be conducted using an approved test method after the applicant has certified that all other equipment tests (including shock and vibration tests) have been completed. Equipment shall not be repaired during the interval between shock tests and explosionproof tests

40 3 Hydrostatic test When the hydrostatic test is required (see 30 2 1), the pressure shall be applied at a rate of 100 pounds force per square inch (lbf/in²) until the required internal pressure is reached and it shall be held to this pressure for 1 minute

40.4 Reconditioning of test sample. If equipment which has satisfactorily passed these tests is to be applied on a contract or order, the manufacturer shall repair all the tapped openings which were required for test purposes and clean the inside of the enclosures as necessary. This reconditioning shall be accomplished before the equipment is offered for final inspection. Acceptable methods of plugging the test openings are as follows

- (a) Using a solid threaded plug, insert plug with a minimum of either full thread engagement for the thickness of the enclosure material or five full threads
- (b) Secure plug against loosening by
 - (1) Tack welding
 - (2) Staking on inside or outside of enclosure.
 - (3) Shrink-fit by installing chilled plug
 Remove wrenching means when methods (2) and (3) are used

50 PACKAGING

50 1 Packaging The packaging requirements shall be as specified in MIL-E-2036.

60 NOTES

60 1 For applicable information see MIL-E-2036

60 2 Definitions The definitions specified in 60 2 1 through 60 2 10 shall apply

60 2 1 Explosionproof enclosure Explosionproof enclosures are as defined in MIL-STD-108

MIL-E-2036D(SH)
APPENDIX

60.2.2 Joint. A joint is defined as the juncture where corresponding surfaces of the enclosure meet and form flame arresting paths from the inside to the outside of the enclosure. The close clearance in drive shaft and operating shaft penetrations of the enclosure also constitutes a joint.

60.2.3 Cylindrical joint. A cylindrical joint is formed by two adjoining cylindrical surfaces (see figure 1).

60.2.4 Labyrinth joint. A labyrinth joint is one having at least two axial paths either in series or parallel, interrupted by at least one radial path with a minimum length of 1/8 inch. For example, labyrinth joints are commonly used for drive shaft penetrations of the enclosure (see figure 4).

60.2.5 Plane joint. A plane joint is formed by two adjoining flat surfaces in parallel planes (see figure 1).

60.2.6 Stepped joint (sometimes referred to as a rabbet joint). A stepped joint is comprised of two adjoining surfaces with a change in direction between its inner and outer edges. A stepped joint may be composed of a cylindrical portion and a plane portion of two or more plane portions (see figure 2).

60.2.7 Threaded joint. A threaded joint is formed between the adjoining surfaces of male and female threaded members, both of which are of the same type and gauge (see figure 3).

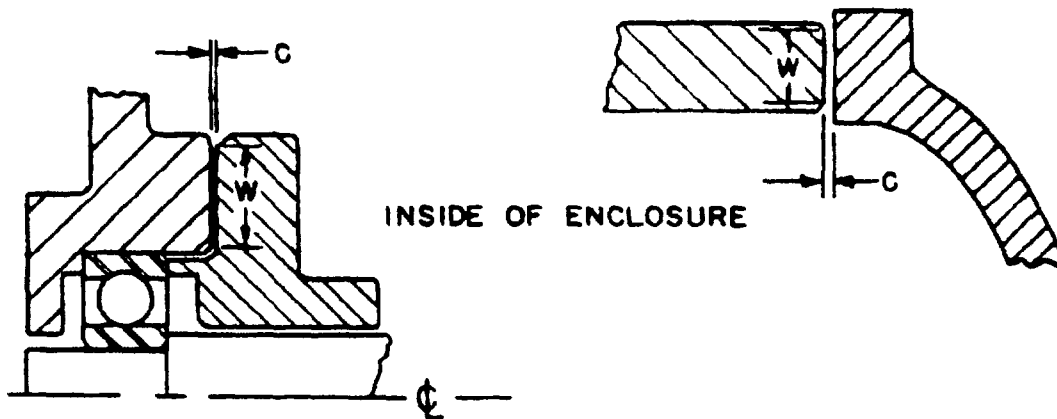
60.2.8 Width of joint. The width of joint shall consist of shortest distance from the inside to the outside of the enclosure through the joint (see figure 4).

60.2.9 Clearance or gap. The clearance shall be defined as the space between corresponding surfaces at a joint measured normal to the surface. For cylindrical surfaces, either the radial clearance (actual clearance between surfaces) or diametrical clearance (difference between the two diameters) may be specified (see figures 1 through 7).

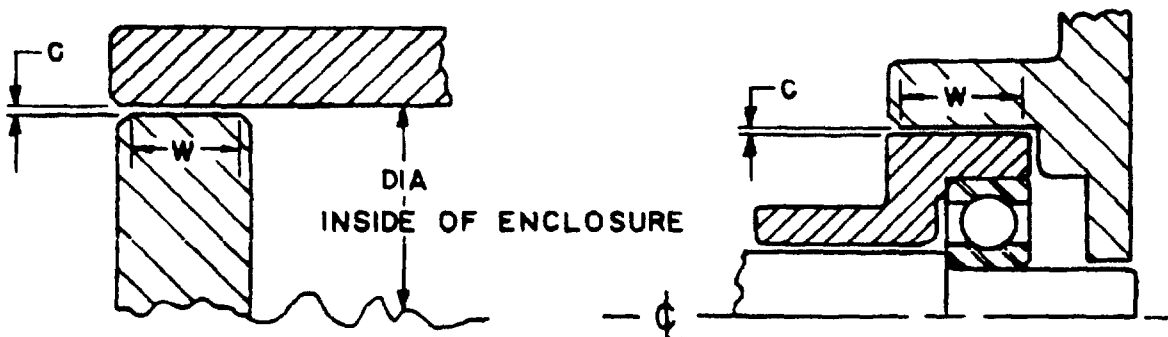
60.2.10 Internal free volume. The internal free volume is defined as the unoccupied space (air volume) within the enclosure.

MIL-E-20660(SH)
APPENDIX

TYPICAL PLANE JOINT CONSTRUCTION



TYPICAL CYLINDRICAL JOINT CONSTRUCTION



W- JOINT WIDTH

C- JOINT CLEARANCE

NOTE: CHAMBERS ARE NOT PART OF JOINT WIDTH

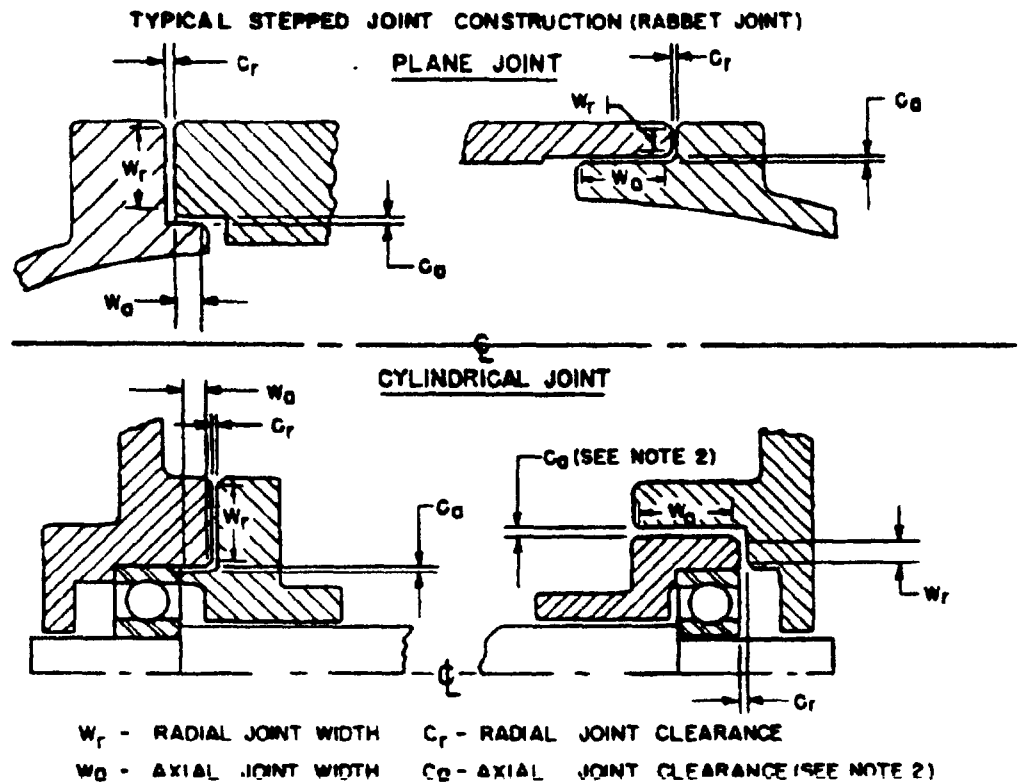
DIMENSIONS FOR PLANE AND CYLINDRICAL JOINTS

SIZE OF ENCLOSURE INTERNAL FREE VOLUME, IN ³	DIMENSIONS OF JOINT-INCHES		
	"W" MINIMUM WIDTH OF JOINT	"C" MAXIMUM JOINT CLEARANCE (DIAMETRICAL FOR CYLINDRICAL JOINTS)	"C" MAXIMUM JOINT CLEARANCE (RADIAL FOR CYLINDRICAL JOINTS)
SMALLER THAN 125	3/4	0 003	0 0015
UNRESTRICTED	1	0 003	0 0015
	1-1/4	0 004	C 0020

SH 9248

FIGURE 1 Plane and cylindrical joints

MIL-E-2030D(SH)
APPENDIX



NOTES. (1) CHAMFERS ARE NOT PART OF JOINT WIDTH

(2) C_o MAY BE SPECIFIED AS EITHER RADIAL OR DIAMETRICAL CLEARANCE.
(SEE 30.2.9)

DIMENSIONS FOR STEPPED JOINTS

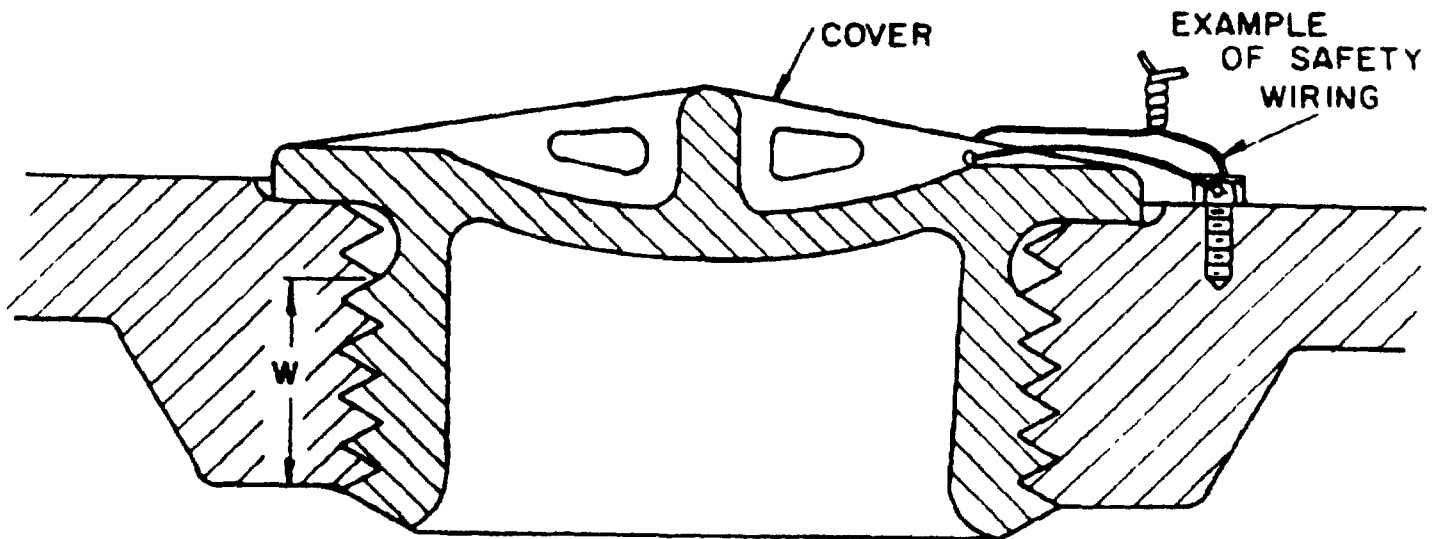
SIZE OF ENCLOSURE	DIMENSIONS OF JOINT - INCHES			
	MINIMUM TOTAL WIDTH OF STEPPED JOINT $W_r + W_o$	MINIMUM WIDTH OF RADIAL CLAMPED JOINT W_r	MAXIMUM CLEARANCE OF RADIAL SECTION OF JOINT C_r	MAXIMUM DIAMETRICAL CLEARANCE OF AXIAL SECTION C_o
LESS THAN 125	1/2	3/64	0 0015	0 003
MOTORS ONLY	1/2	3/32	0.002	0 004
LESS THAN 125	5/8	1/8	0 003	0.004
	5/8	1/4	0 003	0 008
UNRESTRICTED	3/4	1/8	0 003	0 004
	3/4	1/4	0 003	0 008
	1	1/8	0 004	0 004
	1	1/4	0 004	0 008

SH 9249

FIGURE 2 Stepped joints

MIL-E-2036D(SH)
APPENDIX

TYPICAL THREADED JOINT



W-MINIMUM 5 FULL THREADS OF ENGAGEMENT OR A
MINIMUM OF AXIAL JOINT OF 1/2 INCH, WHICH-
EVER IS GREATER

THREADS SHALL BE CLASS 2 FIT

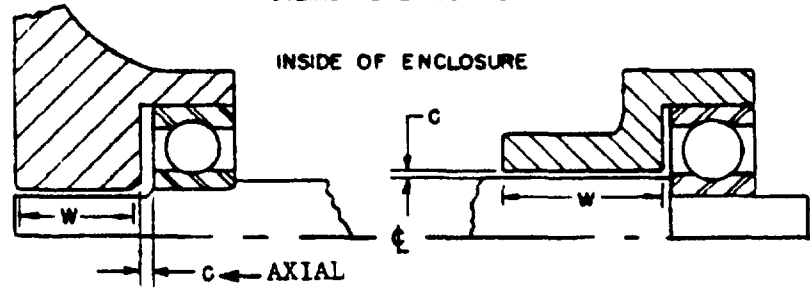
SH 9250

FIGURE 3. Threaded joint

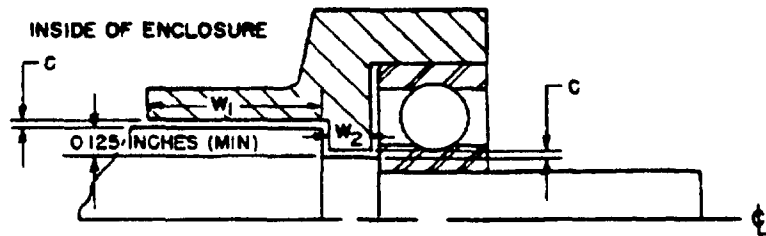
MIL-E-2036D(SH)
APPENDIX

TYPICAL DRIVE SHAFT PENETRATIONS

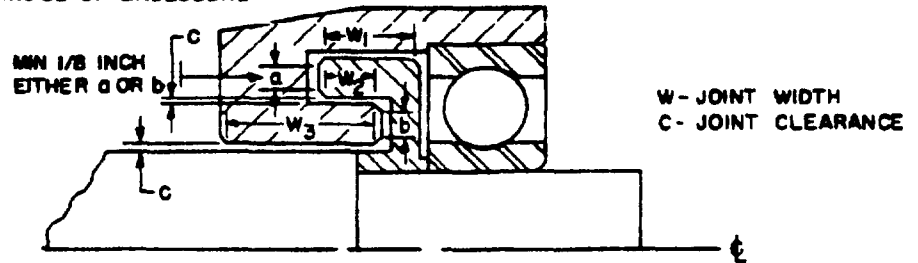
CYLINDRICAL JOINTS



LABYRINTH JOINTS



INSIDE OF ENCLOSURE



NOTE: CHAMFERS ARE NOT PART OF JOINT WIDTH

DIMENSIONS FOR DRIVE SHAFT JOINTS

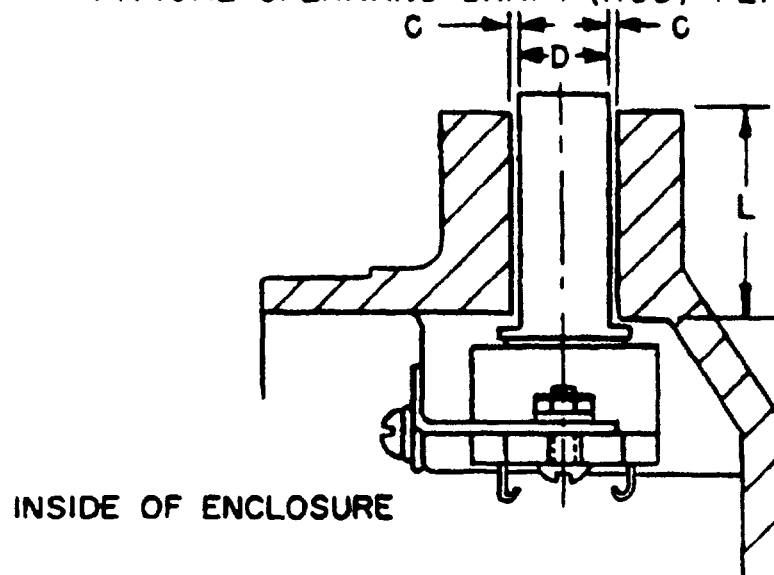
SIZE OF ENCLOSURE INTERNAL FREE VOLUME, IN ³	DIMENSIONS - INCHES		
	MINIMUM WIDTH OF JOINT W W ₁ +W ₂ W ₁ +W ₂ +W ₃	"C" MAXIMUM RADIAL CLEARANCE	
		SLEEVE BEARINGS	BALL AND ROLLER BEARINGS
SMALLER THAN 125	3/4	004	010
UNRESTRICTED	1 1-1/2	005 007	010 012

SH 9251

FIGURE 4 Drive shaft joints

MIL-E-2036D(SH)
APPENDIX

TYPICAL OPERATING SHAFT (ROD) PENETRATION



L- LENGTH OF OPENING
C- CLEARANCE, RADIAL
D- DIAMETER OF ROD

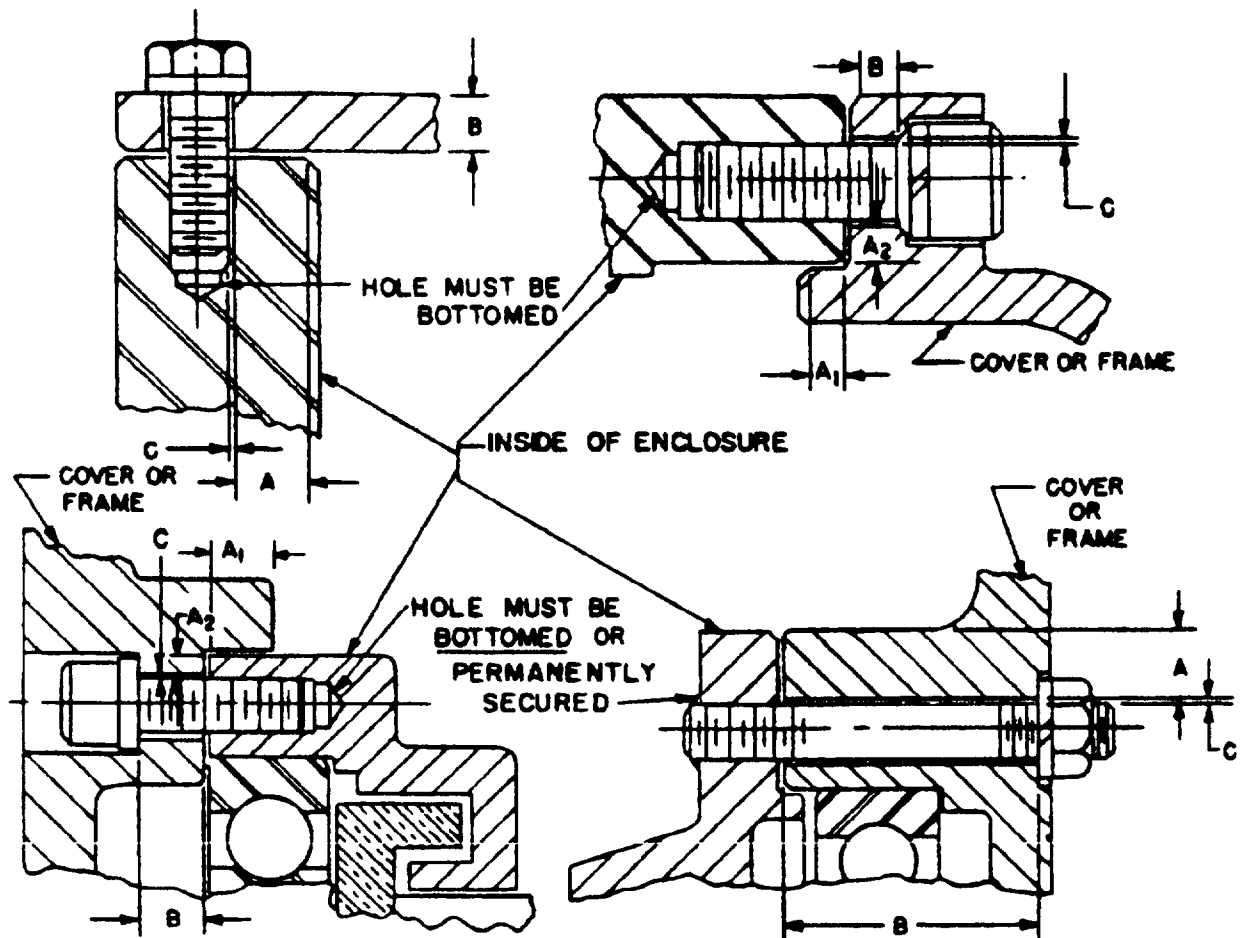
- NOTES (1) FULL LENGTH OF ROD SHALL BE OCCUPIED BY ROD REGARDLESS OF ROD POSITION
(2) SHOULDER OR OTHER MEANS SHALL BE PROVIDED TO PREVENT REMOVING ROD FROM OUTSIDE OF ENCLOSURE

DIMENSIONS FOR OPERATING ROD JOINTS

SIZE OF ENCLOSURE INTERNAL FREE VOLUME, IN ³	DIMENSIONS-INCHES		
	"D" MINIMUM ROD DIAMETER	MINIMUM LENGTH OF OPENING, "L"	"C" MAXIMUM RADIAL CLEARANCE
SMALLER THAN 125	1/4	3/4	0 004
UNRESTRICTED	1/4	1	0 005

SH 9252

FIGURE 5. Operating shaft (rod) joint

MIL-E-2036D(SH)
APPENDIX

A-7/16 INCH MINIMUM, NOT INCLUDING CHAMFER AND "C" DIM. ($A=A_1 + A_2$)

B-MINIMUM DIMENSION EQUAL TO MINIMUM WIDTH OF A PLANE JOINT (SEE FIG 1) MINUS ACTUAL DIMENSION A.

C-1/32 INCH MAXIMUM DIAMETRICAL CLEARANCE.

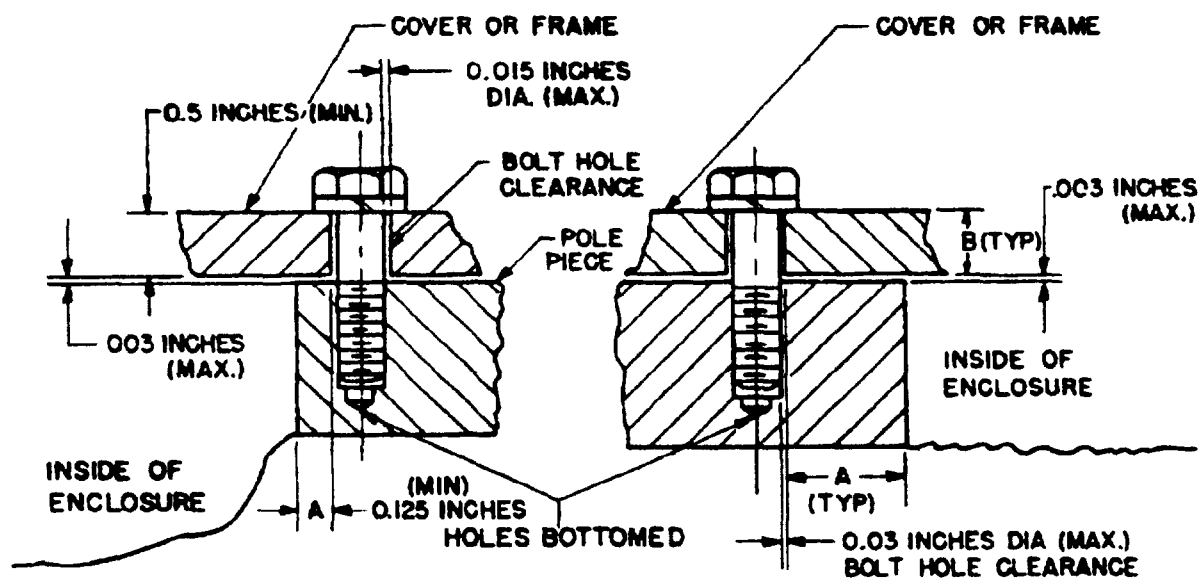
- NOTES (1) CHAMFERS ARE NOT PART OF JOINT WIDTH
 (2) THE JOINT WIDTHS AND CLEARANCES SPECIFIED IN FIGURES 1 AND 2 ARE APPLICABLE.
 (3) FREE SPACE AT BOTTOM OF BOLT HOLE SHALL PERMIT BOLT TO BE SCREWED HOME IF LOCKWASHER IS OMITTED

SH 9253

FIGURE 6. Typical fastener locations in plane and stepped joints.

MIL-E-2030D(SH)
APPENDIX

PLANE JOINTS



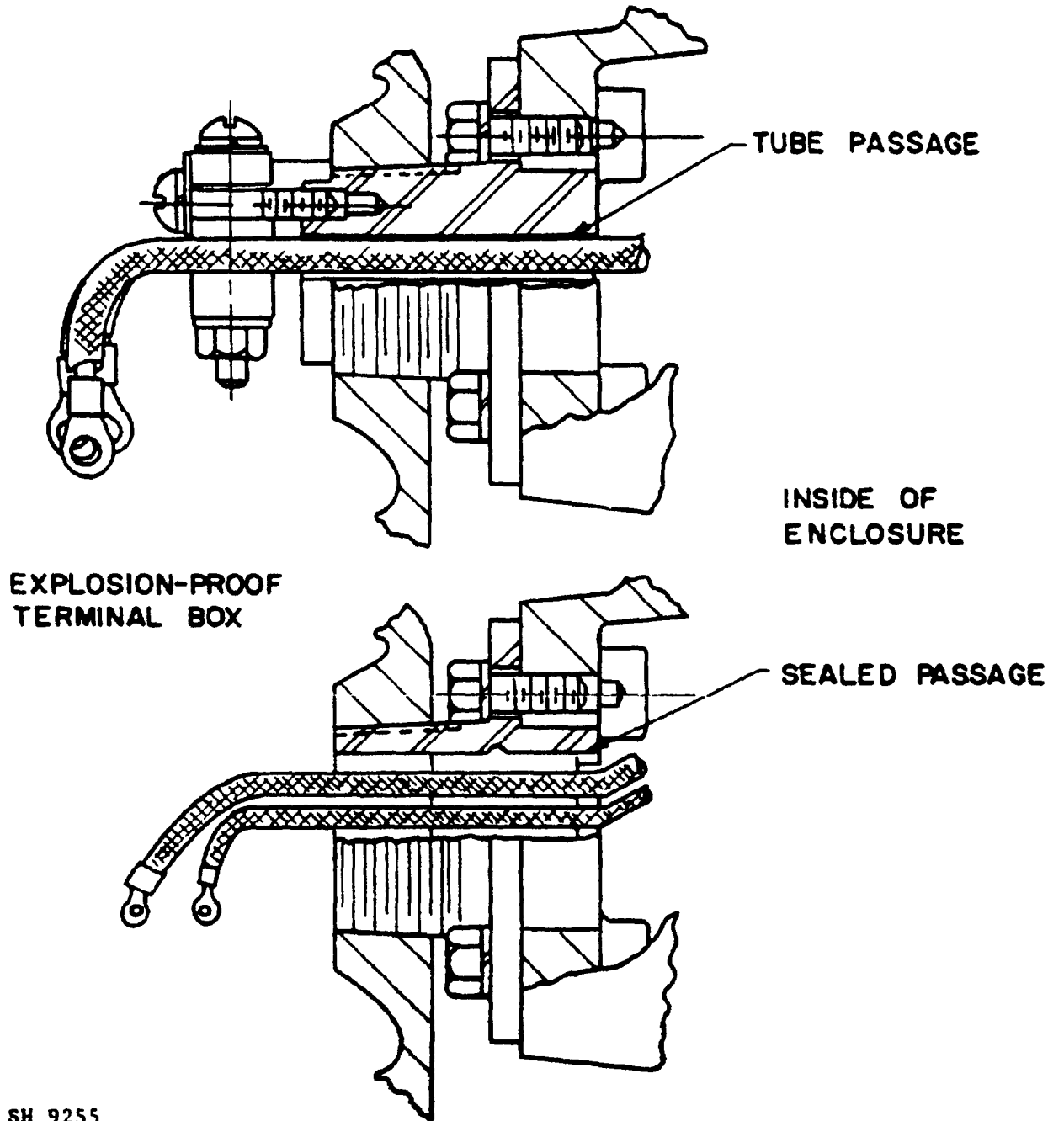
WHEN BOLT HOLE CLEARANCE IS 0.016 INCHES DIA.
OR LESS; "A" DIM. SHALL BE 0.125 INCHES MIN
AND "B" DIM SHALL BE 0.5 INCHES MIN.

WHEN BOLT HOLE CLEARANCE IS 0.031 INCHES DIA
OR LESS; "A" DIM SHALL BE 0.438 INCHES MIN.
AND "B" DIM SHALL BE (1) INCH MIN. MINUS
ACTUAL "A" DIM.

SH 9254

FIGURE 7 Typical construction and fastener location for main pole and interpole joints.

MIL-E-2036D(SH)
APPENDIX



SH 9255

FIGURE 8 Typical construction of passage between terminal and terminal box

INSTRUCTIONS In a continuing effort to make our standardization documents better, the DoD provides this form for use in submitting comments and suggestions for improvements. All users of military standardization documents are invited to provide suggestions. This form may be detached, folded along the lines indicated, taped along the loose edge (*DO NOT STAPLE*), and mailed. In block 5, be as specific as possible about particular problem areas such as wording which required interpretation, was too rigid, restrictive, loose, ambiguous, or was incompatible, and give proposed wording changes which would alleviate the problems. Enter in block 6 any remarks not related to a specific paragraph of the document. If block 7 is filled out, an acknowledgement will be mailed to you within 30 days to let you know that your comments were received and are being considered.

NOTE This form may not be used to request copies of documents, nor to request waivers, deviations, or clarification of specification requirements on current contracts. Comments submitted on this form do not constitute or imply authorization to waive any portion of the referenced document(s) or to amend contractual requirements.

(Fold along this line)

(Fold along this line)

DEPARTMENT OF THE NAVY
COMMANDER
NAVAL SEA SYSTEMS COMMAND (SEA 5523)
DEPARTMENT OF THE NAVY
WASHINGTON, DC 20362-5101



NO POSTAGE
NECESSARY
IF MAILED
IN THE
UNITED STATES

OFFICIAL BUSINESS
PENALTY FOR PRIVATE USE \$300

BUSINESS REPLY MAIL
FIRST CLASS PERMIT NO 12503 WASHINGTON D C

POSTAGE WILL BE PAID BY THE DEPARTMENT OF THE NAVY

COMMANDER
NAVAL SEA SYSTEMS COMMAND (SEA 5523)
DEPARTMENT OF THE NAVY
WASHINGTON, DC 20362-5101

