

A-A-55488
 18 OCTOBER 1994
 SUPERSEDING
 AN416
 1 MAY 1987

COMMERCIAL ITEM DESCRIPTION

PIN, RETAINING, SAFETY

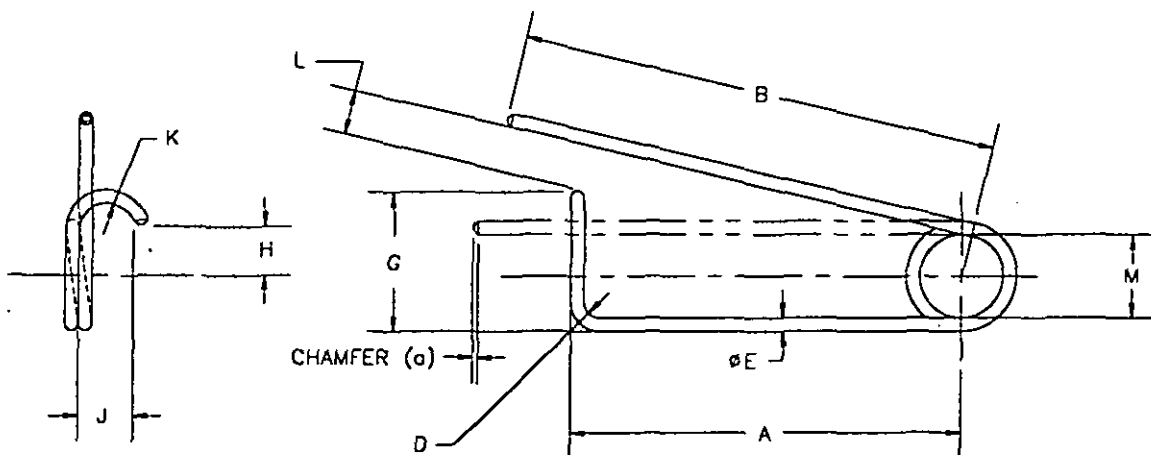
THE GENERAL SERVICES ADMINISTRATION HAS AUTHORIZED THIS COMMERCIAL ITEM DESCRIPTION FOR ALL FEDERAL AGENCIES

1. SCOPE: THIS COMMERCIAL ITEM DESCRIPTION (CID) DEPICTS THE REQUIREMENTS FOR A SAFETY RETAINING PIN.

2. SALENT CHARACTERISTICS.

2.1. MATERIAL: STAINLESS STEEL SPRING WIRE, TYPE 316 (UNS S31600), IN ACCORDANCE WITH ASTM A313.

2.2. SURFACE TREATMENT: CRES PINS SHALL BE PASSIVATED IN ACCORDANCE WITH QQ-P-35.



BENEFICIAL COMMENTS, RECOMMENDATIONS, ADDITIONS, DELETIONS, CLARIFICATIONS, ETC., AND DATA WHICH MAY IMPROVE THIS DOCUMENT SHOULD BE SENT TO: DEFENSE INDUSTRIAL SUPPLY CENTER, ATTN: DISC-ECA, 700 ROBBINS AVENUE, PHILADELPHIA, PA 19111-5096.

ASMC N/A

1 OF 2

FSC 5315

DISTRIBUTION STATEMENT A. APPROVED FOR PUBLIC RELEASE; DISTRIBUTION IS UNLIMITED.

A-A-55488

TABLE I. DASH NUMBERS AND DIMENSIONS

CID-P/N	A	B	D	∅E	G	H	J	K	L	M
-1	1.062	1.375	.093	.051	.296	.046	.125	.046	.125	.156
-2	.750	.937	.062	.041	.250	.031	.093	.031	.125	.156
-3	2.156	2.656	.080	.080	.500	.156	.171	.080	.320	.250

3. QUALITY CONFORMANCE PROVISIONS:

- 3.1. THE SUPPLIERS SHALL BE RESPONSIBLE FOR THOSE IN PROCESS CONTROLS AND INSPECTIONS NECESSARY TO SUPPLY A PRODUCT CONSISTENTLY CONFORMING TO THE REQUIREMENTS OF THIS DOCUMENT.
- 3.2. UPON REQUEST, THE SUPPLIER WILL CERTIFY WITH DOCUMENTED TEST/INSPECTION EVIDENCE, THAT THE PART SUPPLIED MEET THE REQUIREMENTS OF THIS DOCUMENT.

4. NOTES:

- 4.1. ALL DIMENSIONS ARE IN INCHES.
- 4.2. TOLERANCES: FRACTIONS $\pm 1/32$, DECIMALS $\pm .010$.
- 4.3. CHAMFER AS SHOWN AND REMOVE ALL BURRS AND BREAK SHARP EDGES.
- 4.4. INTERPRET DRAWING IN ACCORDANCE WITH ANSI Y14.5M.
- 4.5. FOR CANCELLED AN416 PART NUMBER, REPLACEMENT PART NUMBERS ARE LISTED.
- 4.6. PART IDENTIFICATION NUMBER (PIN) SHALL CONSIST OF THE BASIC COMMERCIAL ITEM NUMBER FOLLOWED BY A DASH NUMBER FROM TABLE I.

EXAMPLE: AA55488 - 3

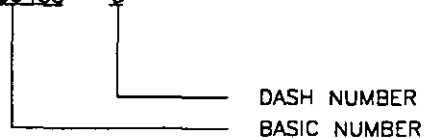


TABLE II. CROSS - REFERENCE TABLE.

CANCELLED AN PIN	REPLACEMENT CID PIN
AN416 - * 1/	AA55488 - * 1/

1/ * REPRESENTS THE SAME DESIGNATION CODES FOR BOTH AN AND CID PINS.

MILITARY INTERESTS
CUSTODIANS

ARMY - AV
AIR FORCE - 82

PREPARING ACTIVITY
DLA-IS

PROJECT NUMBER: 5315-0492

REVIEWER ACTIVITIES

AIR FORCE - 99