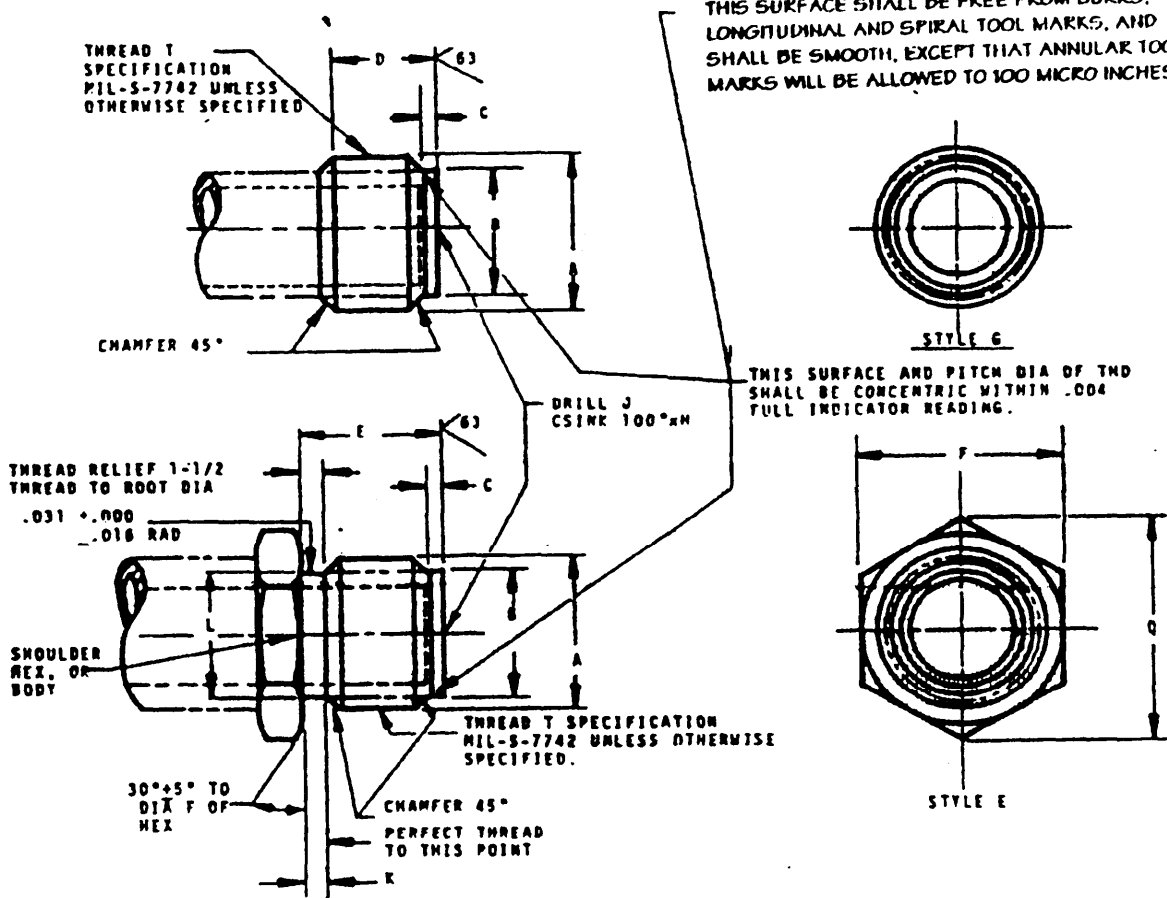


THE REQUIREMENTS FOR THIS SPECIFICATION LISTED IN THE SPECIFICATION SHEET AND THE ISSUE OF THE FOLLOWING SPECIFICATION LISTED IN THE JOINTS SPECIFIED IN THE SOLICITATION: Design Standard for use with various procurement specifications.



6

SIZE NO.	TUBING OD REF	THREAD T	PITCH DIA THD	A DIA	B +.000 -.005	C	D +.015 -.015	E	F	H DIA	J DIA	Q REF	K +.015 -.005	L +.000 -.005
2	.125	.312-32 NEF-3A			.257	.031		.281	.430±.003	.219	.125		.048	.266
3	.188	.375-24 UNF-3A			.310	.047	.312	.375	.430±.004	.281	.161	.51	.063	.307
4	.250	.438-20 UNF-3A			.359			.438	.562±.004	.312	.189	.69		.359
5	.312	.500-2 UNF-3A			.421		.344	.500	.625±.004	.408	.280	.72	.078	.421
6	.375	.625-18 UNF-3A			.531	.094	.378	.500	.750±.004	.500	.312	.87	.083	.548
8	.500	.750-16 UNF-3A			.656		.500	.625	.875±.004	.625	.438	1.01	.094	.654
10	.625	.938-14 NS-3A	.8911±.0000 -.0036	.9375±.0000 -.0098	.843		.625	.688	.938±.004	.812	.562	1.09	.107	.775
12	.750	1.125-12 UNF-3A			1.000		.688	.812	1.250±.005	.938		1.30		1.009
16	1.000	1.500-12 UNF-3A			1.375		.750	1.750±.016		1.312	.750	2.02	.125	1.383

FOR SURFACE ROUGHNESS SEE ANSI B 46.1.
BREAK ALL SHARP EDGES AND REMOVE ALL HANGING BURRS AND SLIVERS WHICH MIGHT BECOME DISLODGED UNDER USAGE.
DIMENSIONS IN INCHES, UNLESS OTHERWISE SPECIFIED, TOLERANCES: DECIMALS ± .005, ANGLES ± 1/2°

PREPARING ACTIVITY: - 82 CUSTODIANS: ARMY - NAVY - AS AIR FORCE - 99 - DLA -	TITLE: <u>MILITARY SPECIFICATION SHEET</u> FITTING END, STANDARD FOR CONE CONNECTION	SPECIFICATION SHEET NUMBER AND10089 Rev 6, 24 FEB 94 SUPERSEDES AND10089, Rev 5, 7 Jan 85 AMSC - N/A PSC - 4730
REVIEW: USER: PROJECT NUMBER: 4730-0364	DISTRIBUTION STATEMENT: APPROVED FOR PUBLIC RELEASE: DISTRIBUTION IS UNLIMITED.	